



Pacific Motion

CONTROL

Boom Reach at Level: 44"

Boom Reach at Full Up: 27"

Boom Reach at Full Down: 24"

Boom Travel: 59.75", Speed: 60° in 2.5 sec.

Swing Travel: 360°+, Speed: 90° in 3.2 sec.

Track Lengths: 12', 8', 6' and 4', Speed: 11' per sec.

Pan Travel: 360°+, Speed: 90° in 0.8 sec.

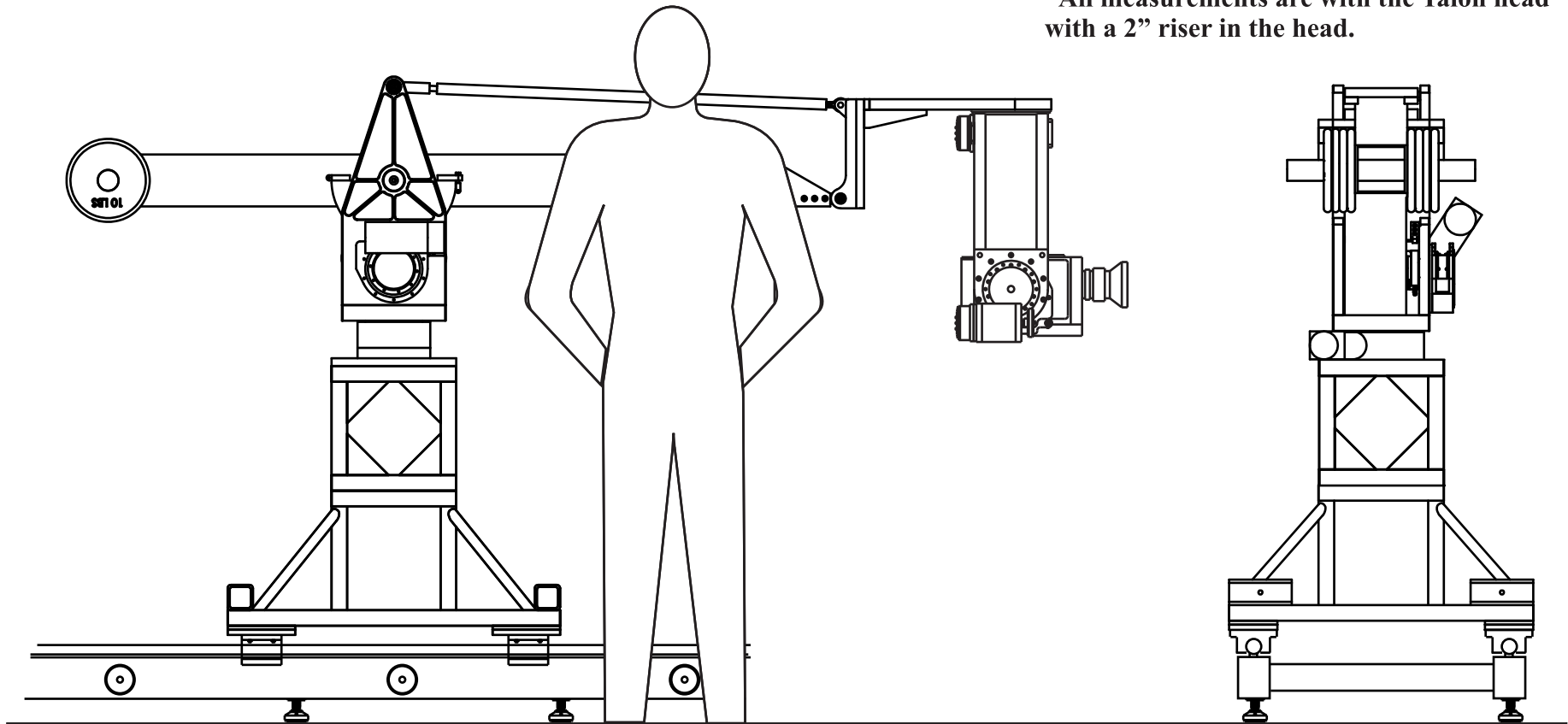
Tilt Travel: 360°+, Speed: 90° in 0.8 sec.

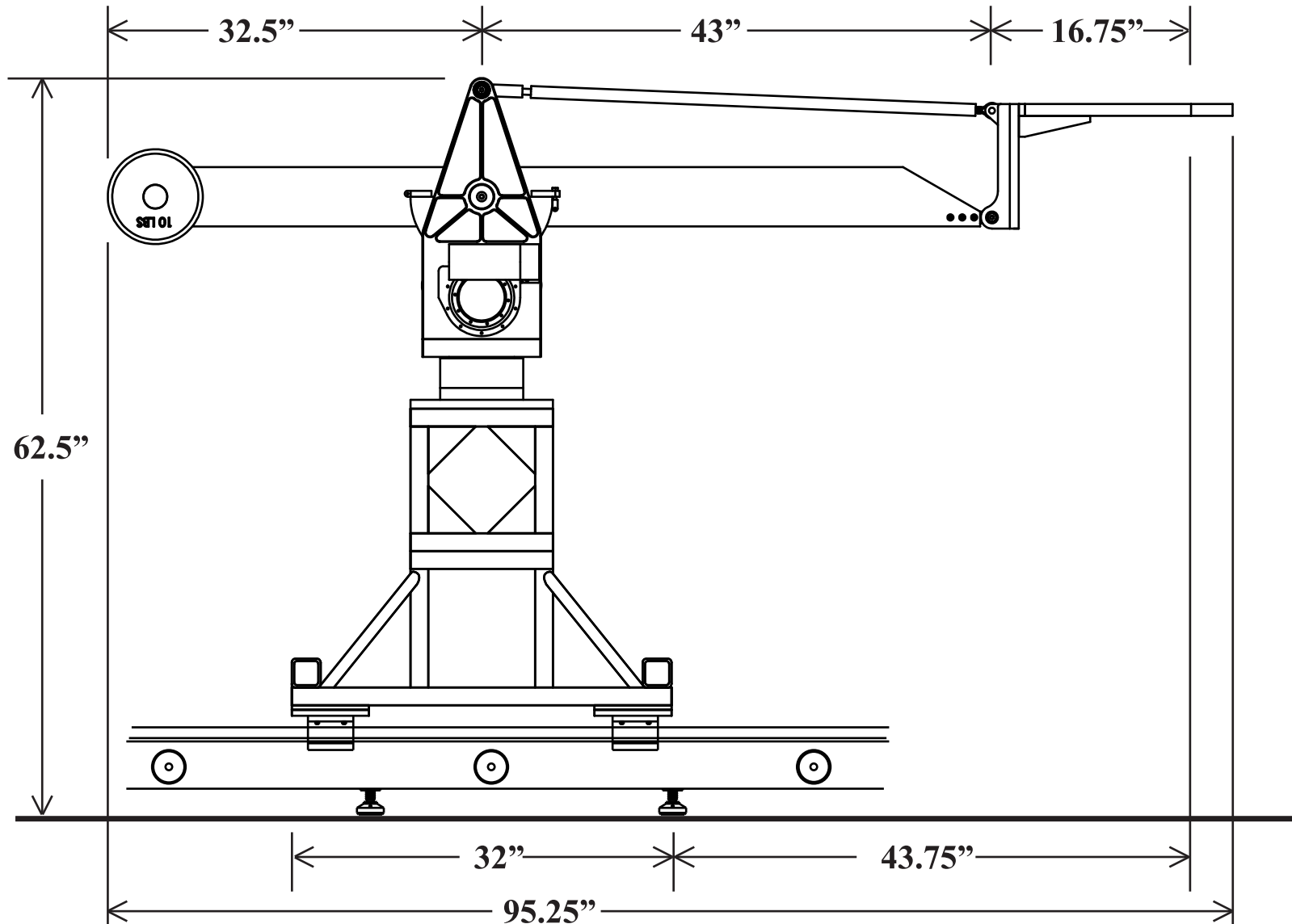
Roll Travel: 360°+, Speed: 90° in 2.5 sec.

Weight With Camera: 585 lbs.

Weight Without Camera or Head: 350 lbs.

***All measurements are with the Talon head with a 2" riser in the head.**

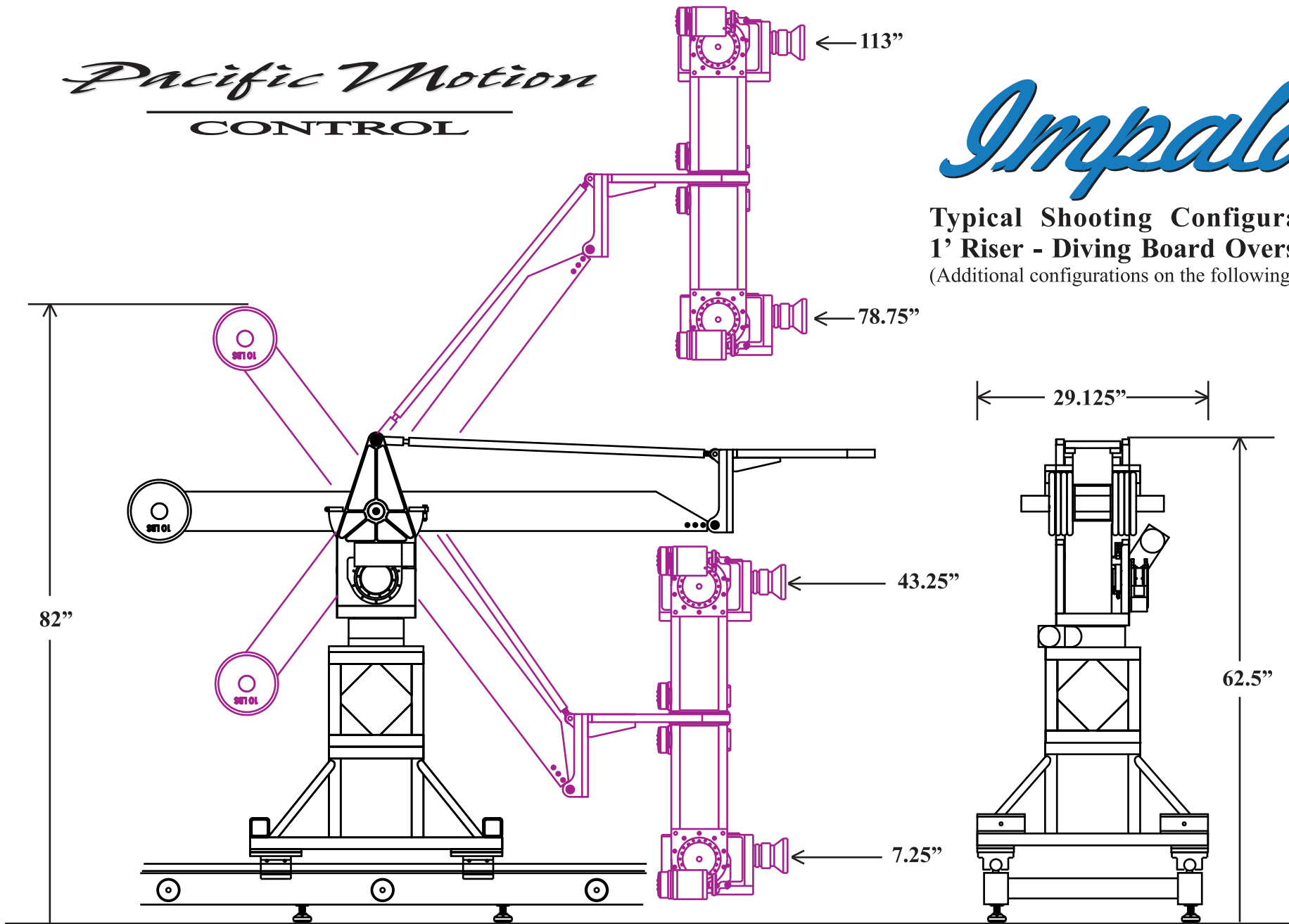




Pacific Motion
CONTROL

Impala

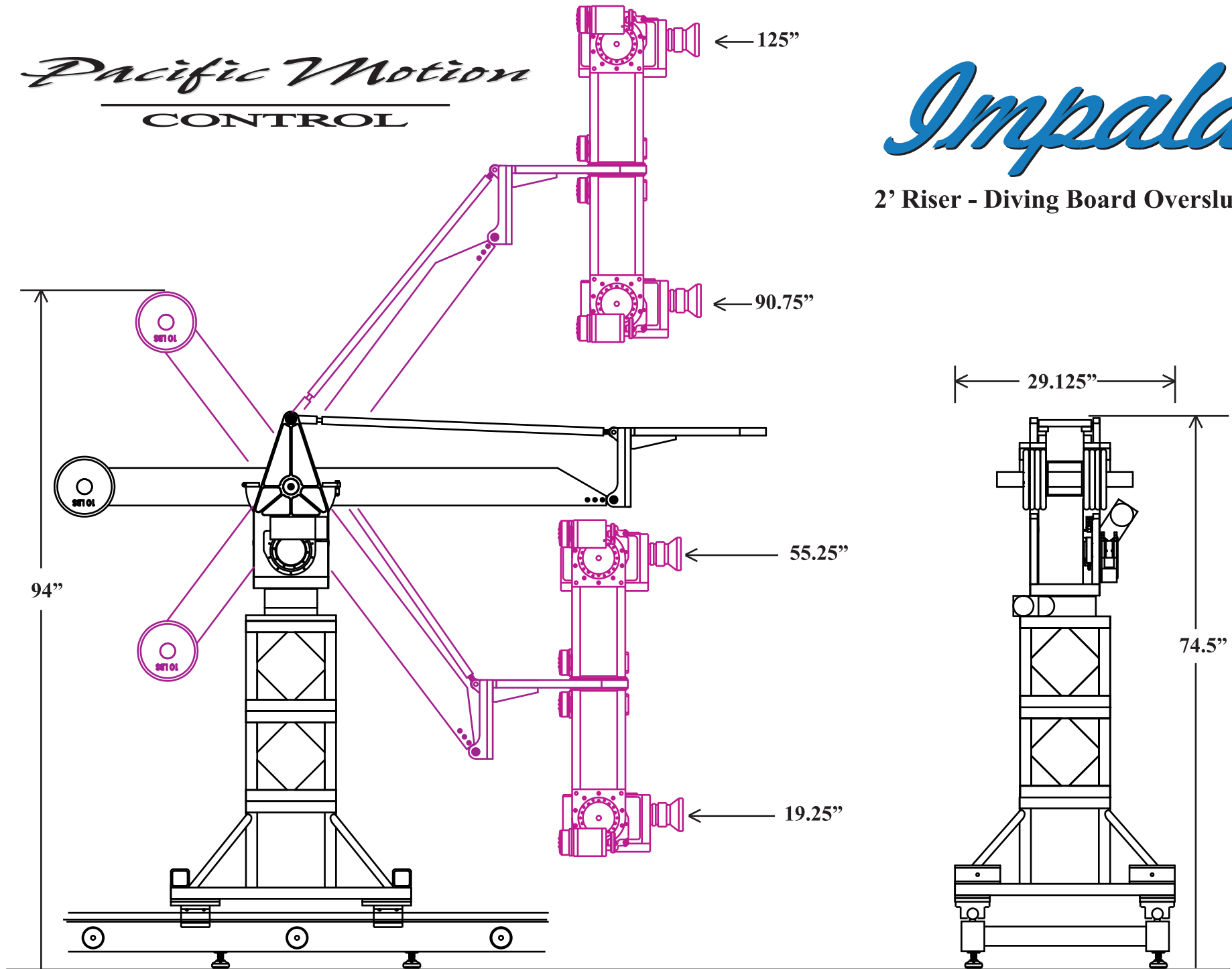
Typical Shooting Configuration
1' Riser - Diving Board Overslung
(Additional configurations on the following pages)



Pacific Motion
CONTROL

Impala

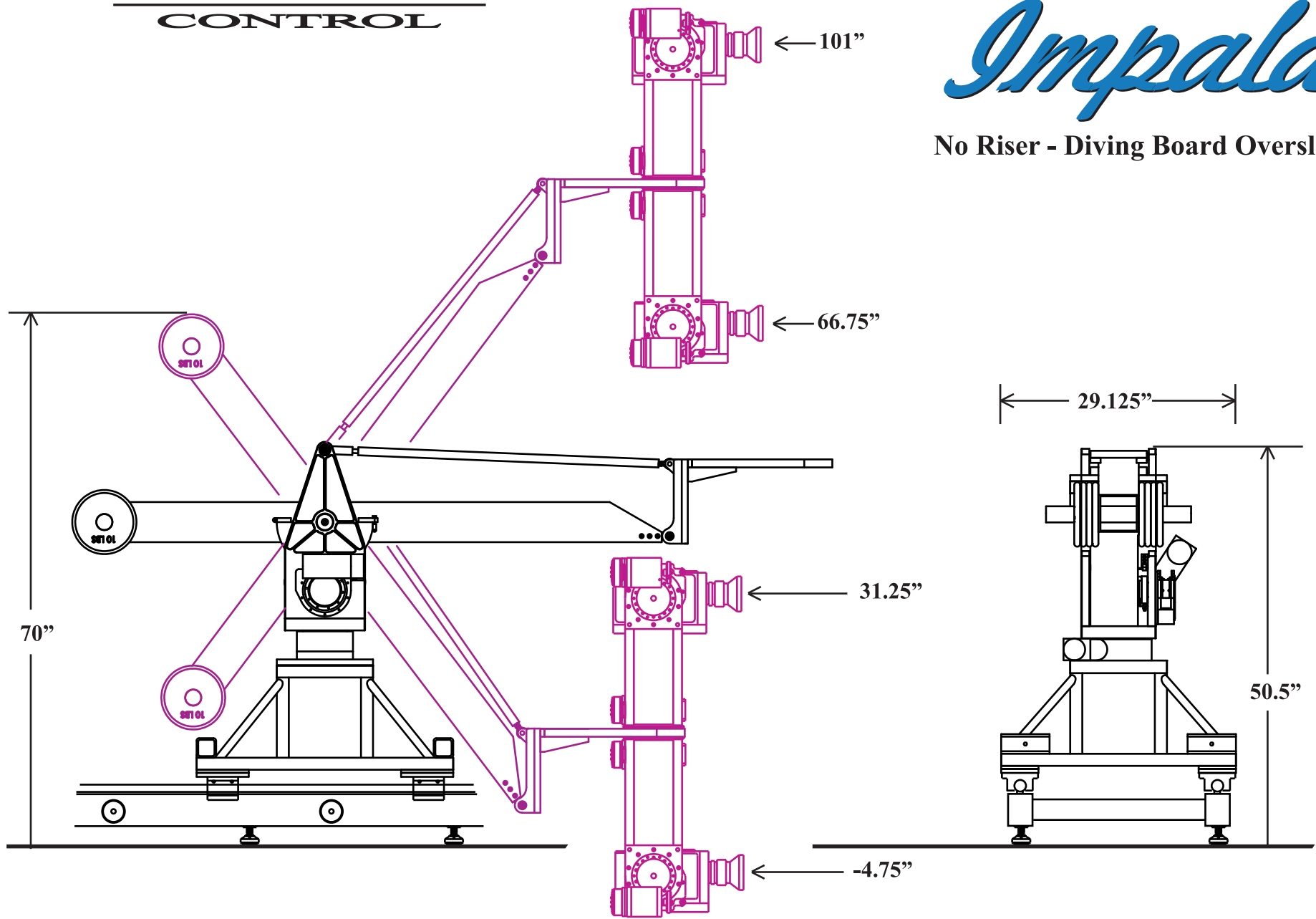
2' Riser - Diving Board Overslung



Pacific Motion
CONTROL

Impala

No Riser - Diving Board Overslung

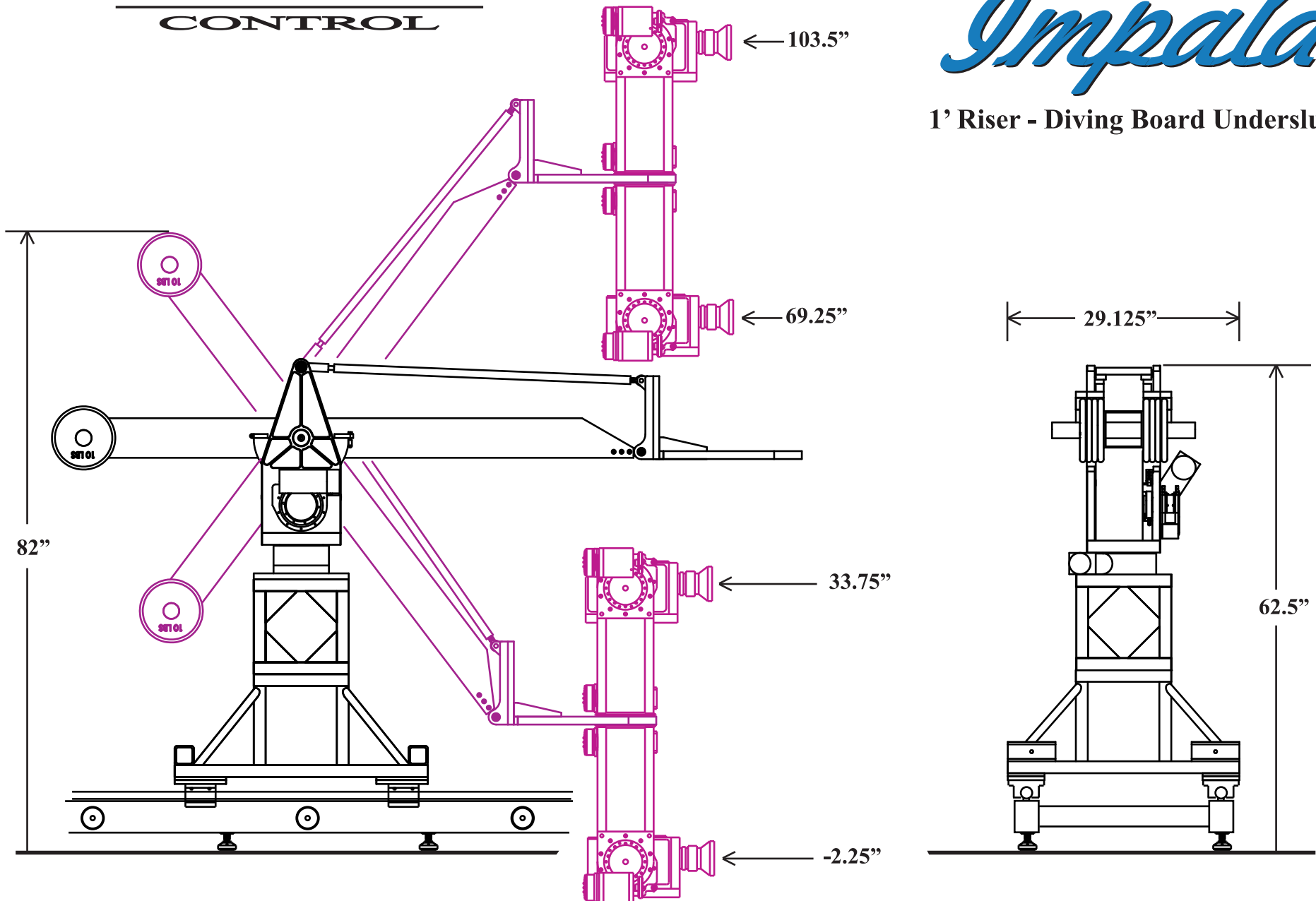


Pacific Motion

CONTROL

Impala

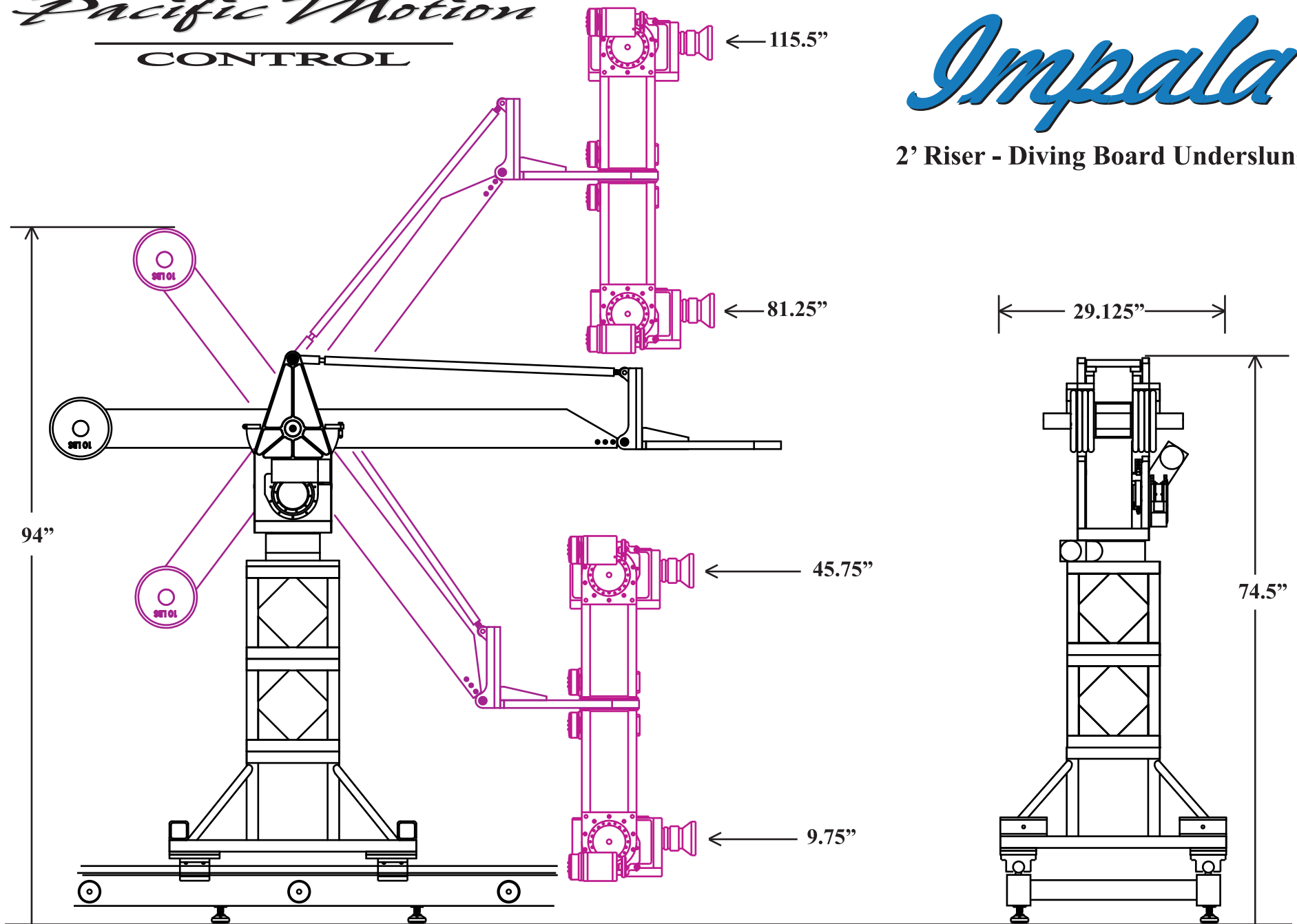
1' Riser - Diving Board Underslung



Pacific Motion
CONTROL

Impala

2' Riser - Diving Board Underslung



Pacific Motion
CONTROL

Impala

No Riser - Diving Board Underslung

