

Pacific Motion

CONTROL

Boom Reach

- Level: 10' 7"
- Max Up: 7' 4"
- Max Down: 9' 10"

Maximum Speeds

- Track: 11' per sec.
- Boom: 3.5' per sec.
- Swing: 25° per sec.
- Pan: 120° per sec.
- Tilt: 60° per sec.
- Roll: 36° per sec.

Boom Travel

- With 1' Riser: 13'
- On Steeldeck: 13'
- No Riser/Steeldeck: 12'

Maximum Travel

- Boom: +45°/-30° (75°)
- Swing: 360°+
- Pan/Tilt/Roll: 360°+

Base Width

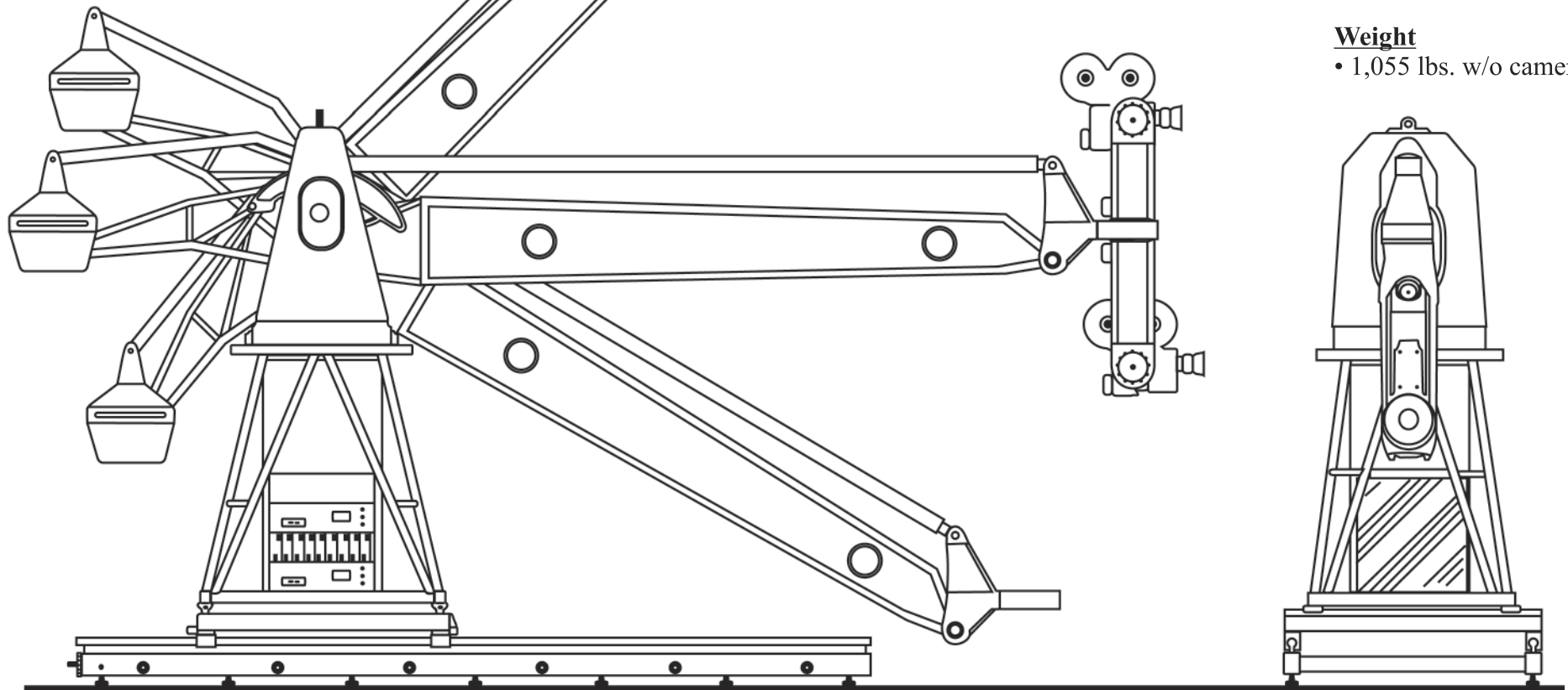
- 46.5 Inches

Weight

- 1,055 lbs. w/o camera

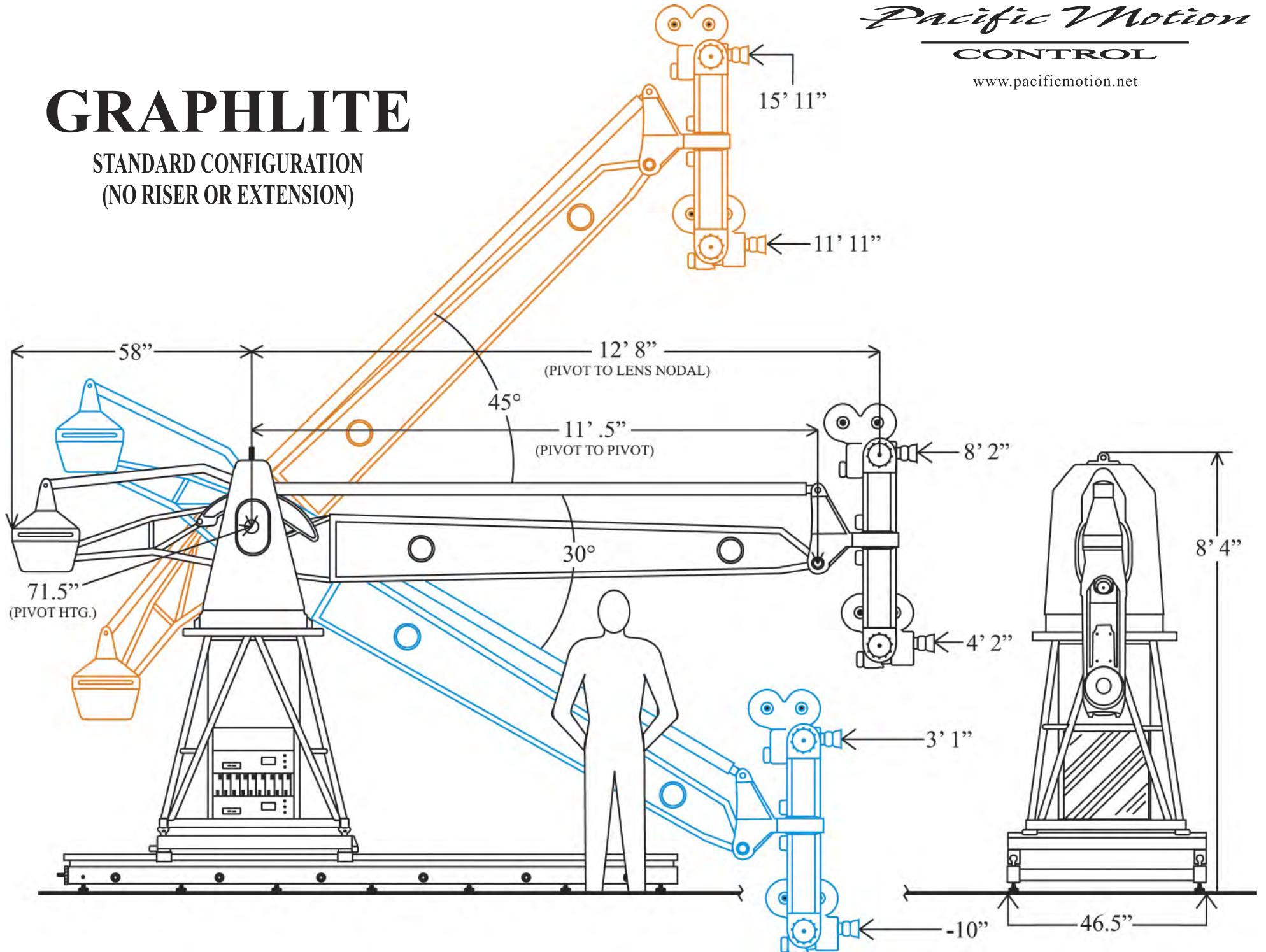
GRAPHLITE

PORTABLE LIVE ACTION
MOTION CONTROL CRANE



GRAPHLITE

STANDARD CONFIGURATION
(NO RISER OR EXTENSION)



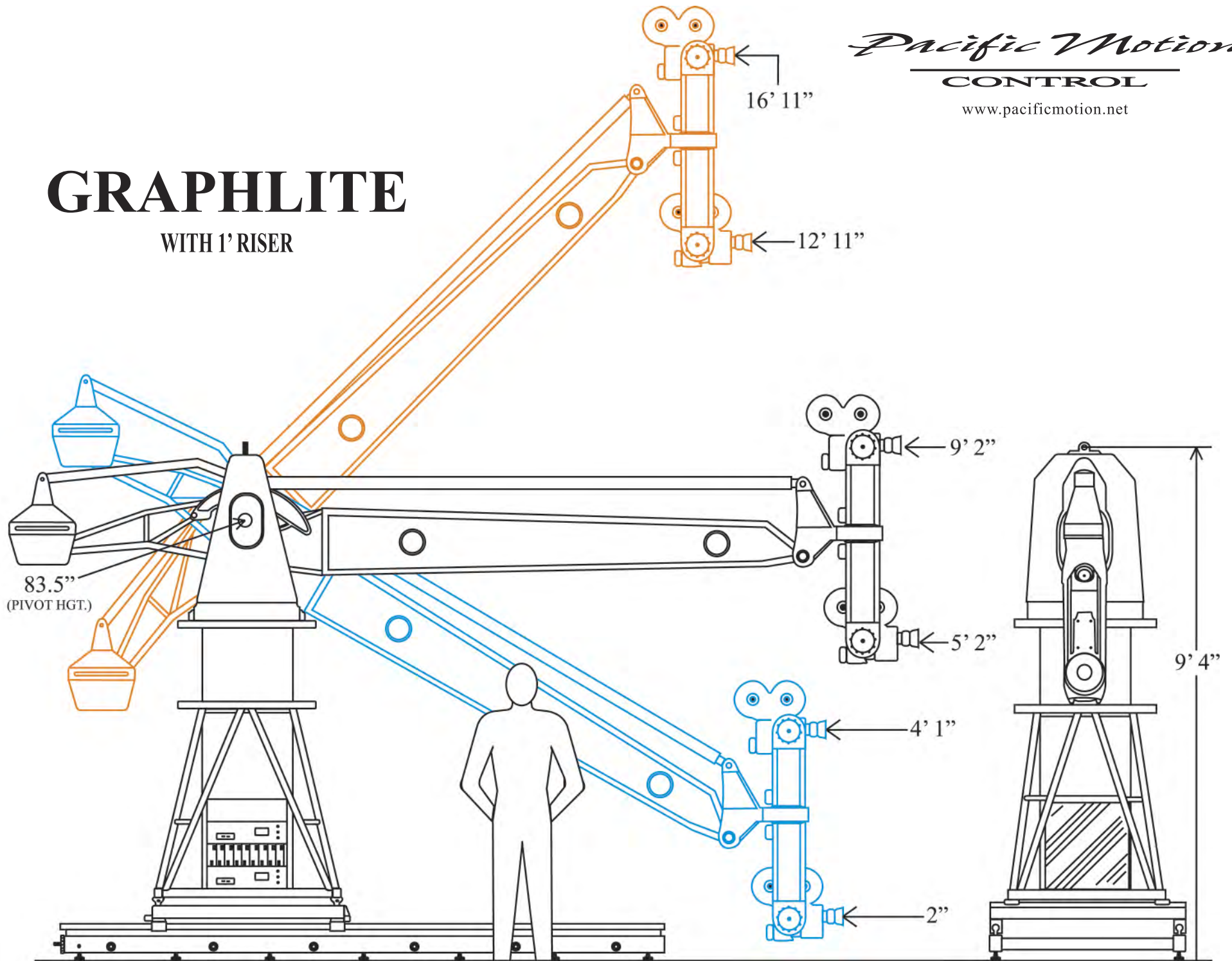
Pacific Motion

CONTROL

www.pacificmotion.net

GRAPHLITE

WITH 1' RISER



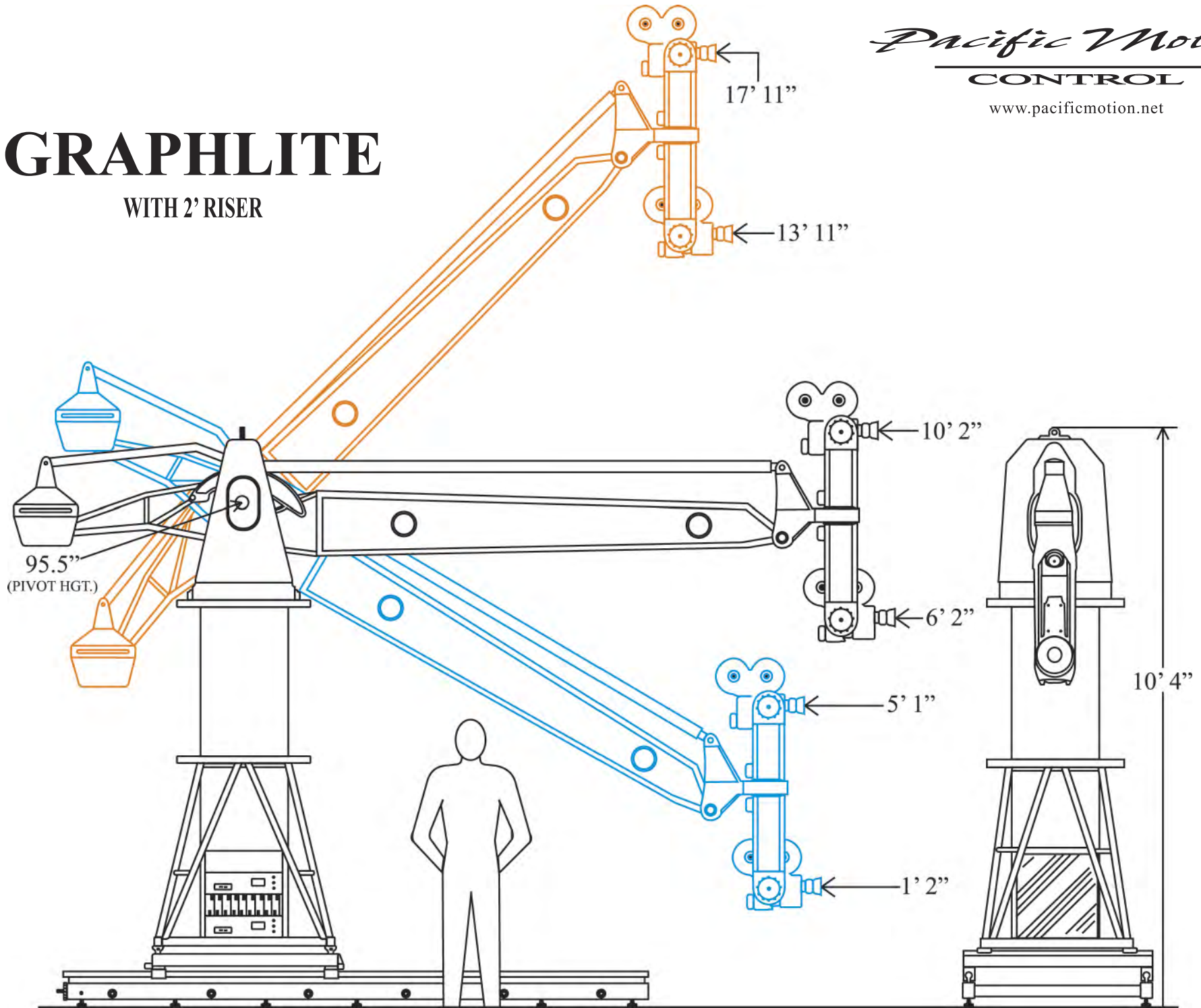
Pacific Motion

CONTROL

www.pacificmotion.net

GRAPHLITE

WITH 2' RISER



GRAPHILITE

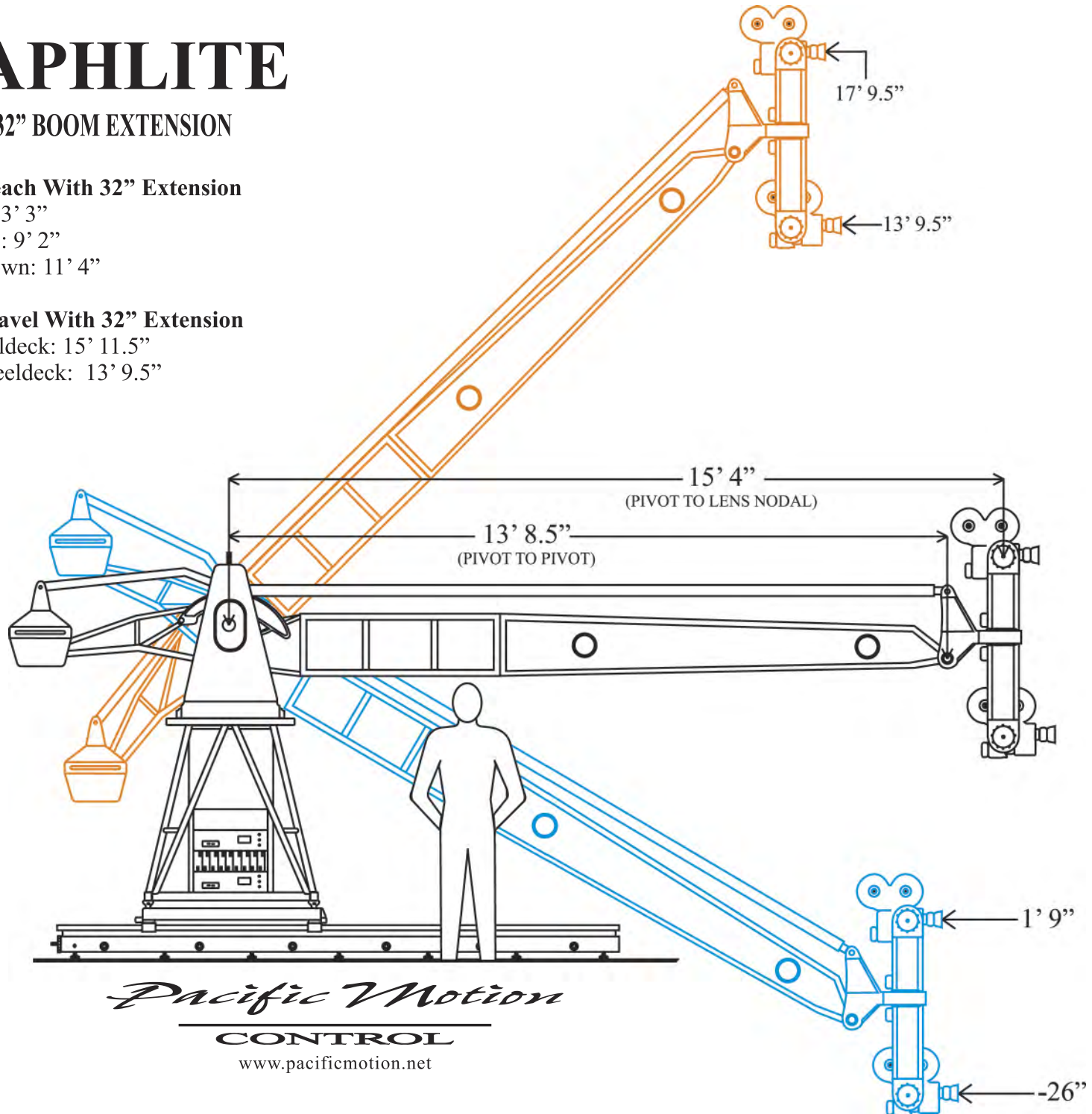
WITH 32" BOOM EXTENSION

Boom Reach With 32" Extension

- Level: 13' 3"
- Max Up: 9' 2"
- Max Down: 11' 4"

Boom Travel With 32" Extension

- On Steeldeck: 15' 11.5"
- W/O Steeldeck: 13' 9.5"



GRAPHYLITE

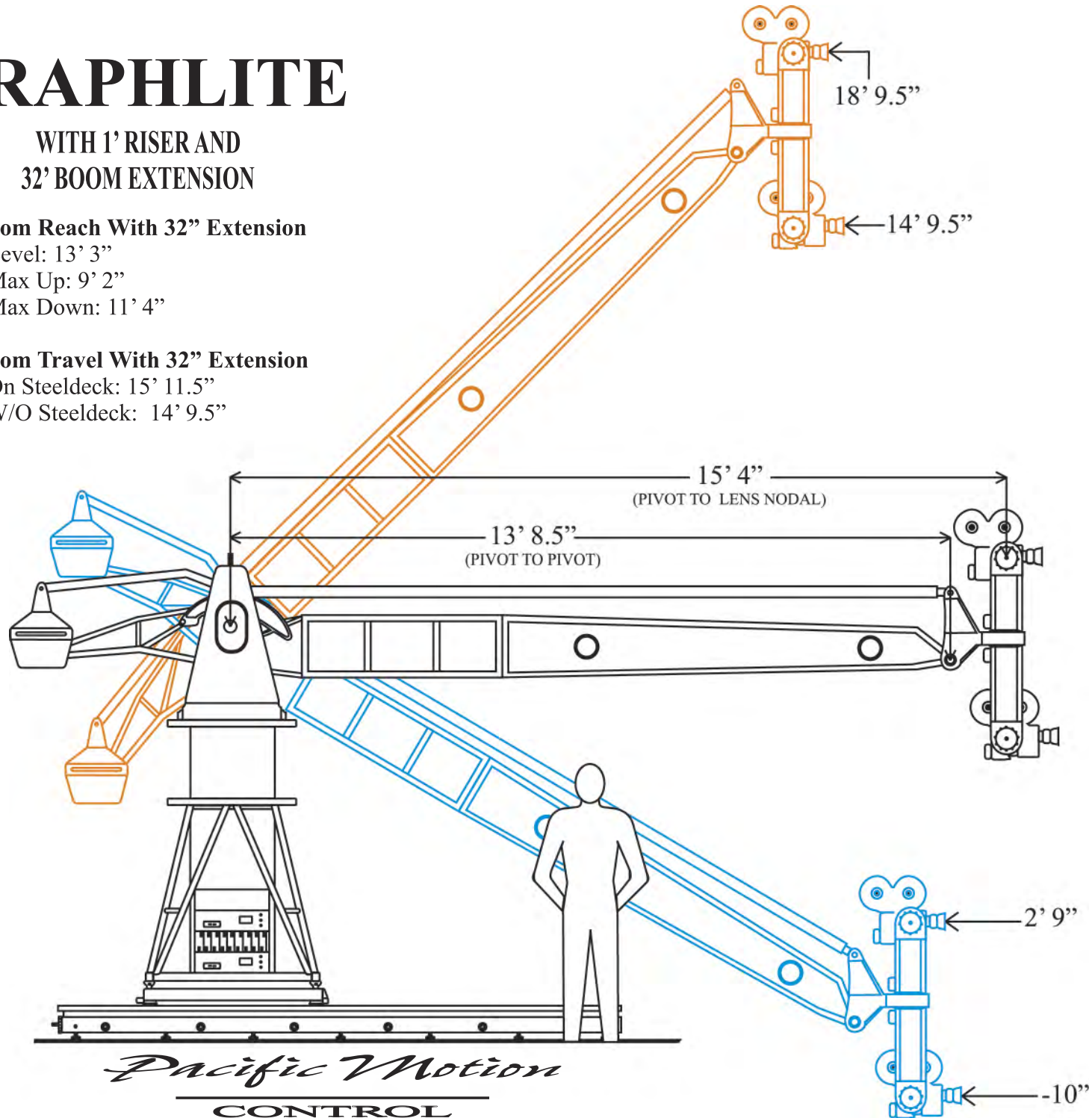
WITH 1' RISER AND 32' BOOM EXTENSION

Boom Reach With 32" Extension

- Level: 13' 3"
- Max Up: 9' 2"
- Max Down: 11' 4"

Boom Travel With 32" Extension

- On Steeldeck: 15' 11.5"
- W/O Steeldeck: 14' 9.5"



Pacific Motion

CONTROL

www.pacificmotion.net

GRAPHILITE

WITH 2' RISER AND
32' BOOM EXTENSION

Boom Reach With 32" Extension

- Level: 13' 3"
- Max Up: 9' 2"
- Max Down: 11' 4"

Boom Travel With 32" Extension

- 15' 11.5"

