

Pacific Motion

CONTROL

Boom Reach

- Level: 10' 7"
- Max Up: 7' 4"
- Max Down: 9' 10"

Maximum Speeds

- Track: 11' per sec.
- Boom: 3.5' per sec.
- Swing: 25° per sec.
- Pan: 120° per sec.
- Tilt: 60° per sec.
- Roll: 36° per sec.

Boom Travel

- With 1' Riser: 13'
- On Steeldeck: 13'
- No Riser/Steeldeck: 12'

Maximum Travel

- Boom: +45°/-30° (75°)
- Swing: 360°+
- Pan/Tilt/Roll: 360°+

Base Width

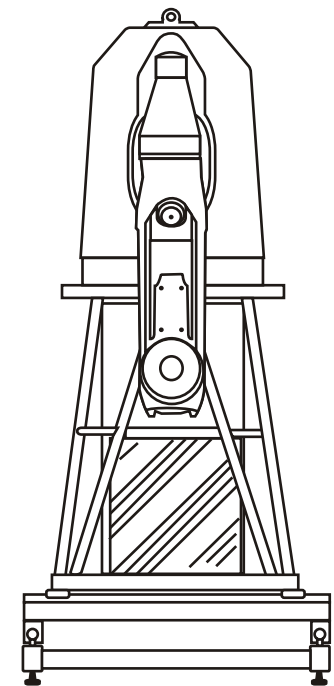
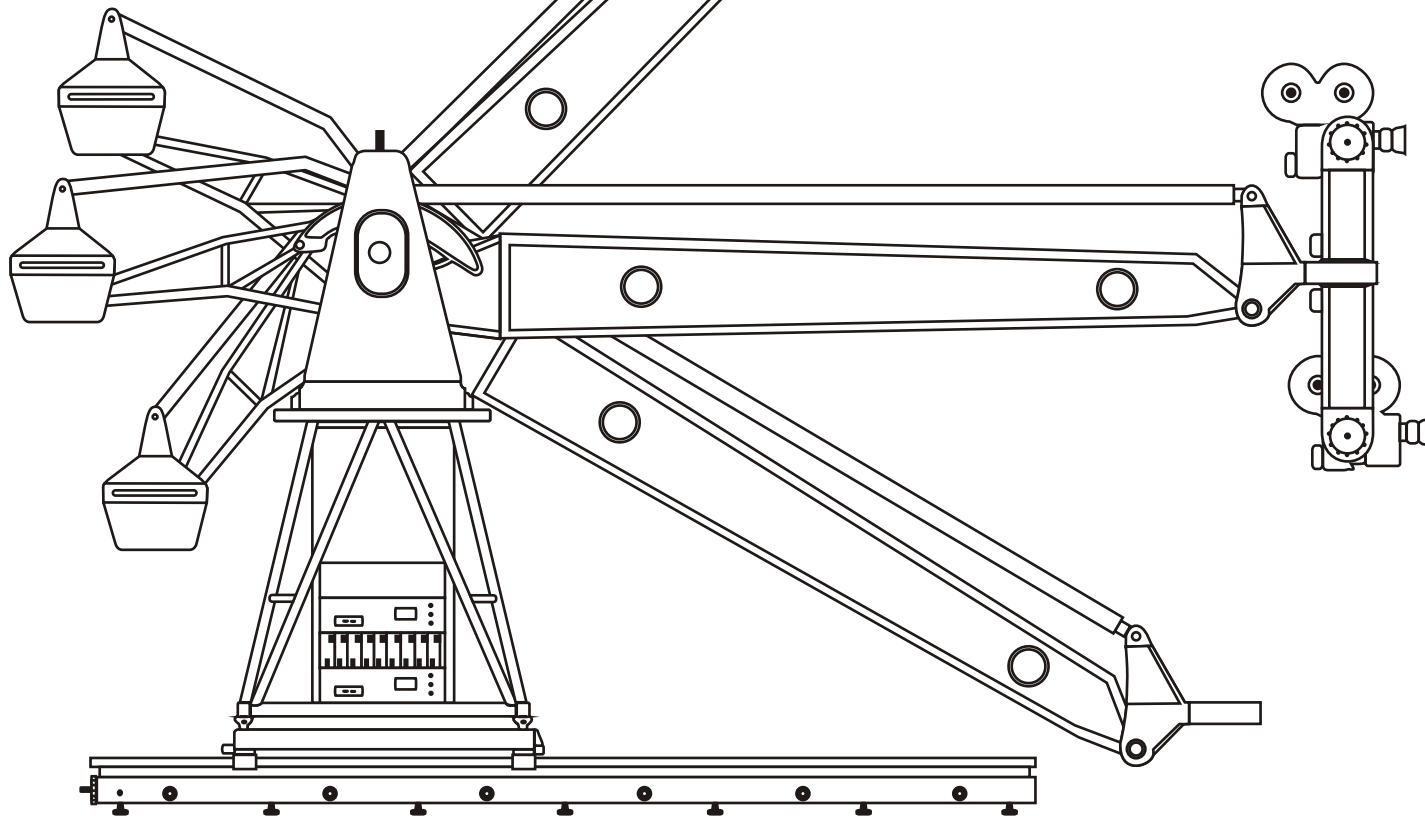
- 46.5 Inches

Weight

- 1,055 lbs. w/o camera

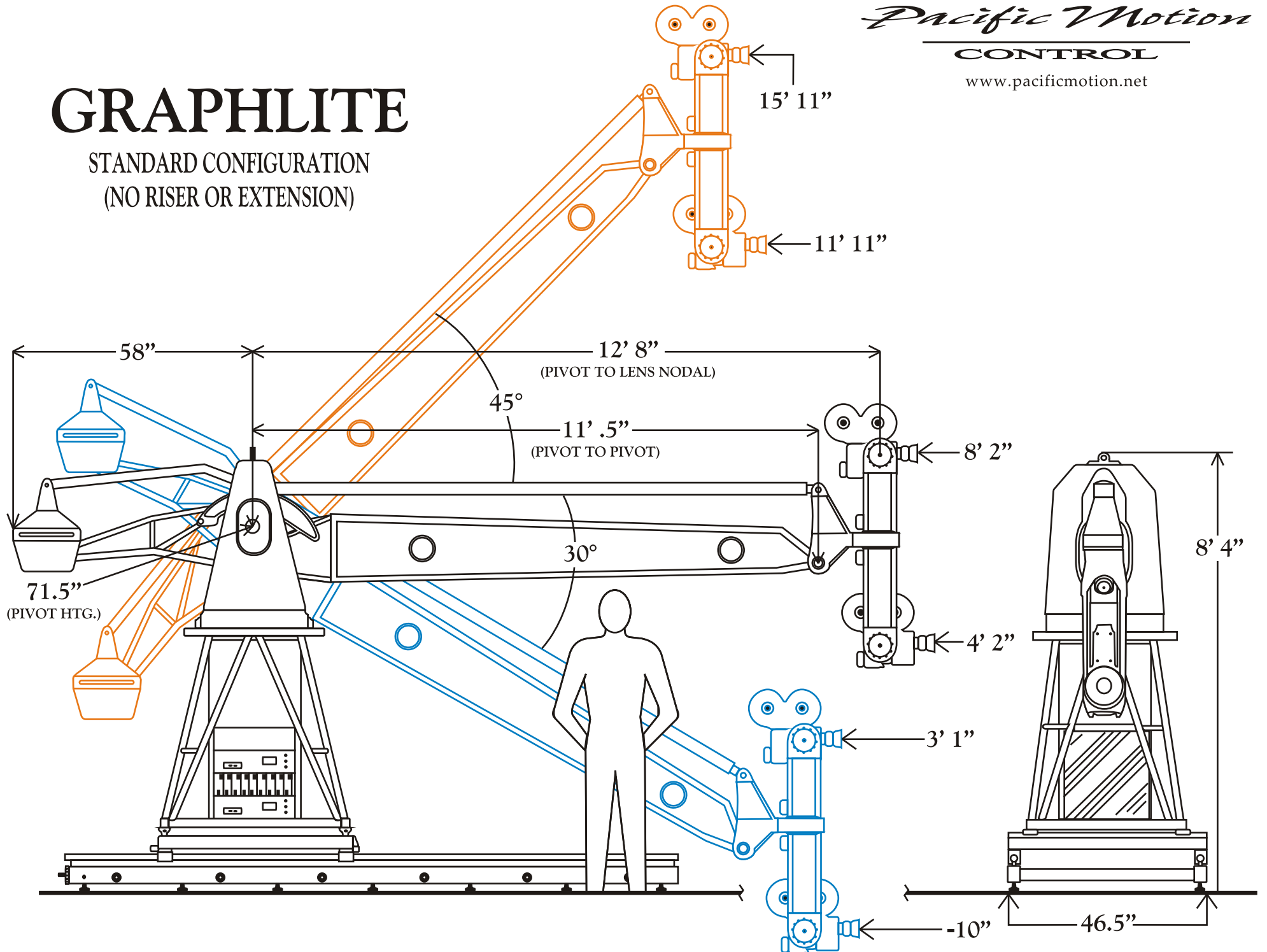
GRAPHLITE

PORTABLE LIVE ACTION
MOTION CONTROL CRANE



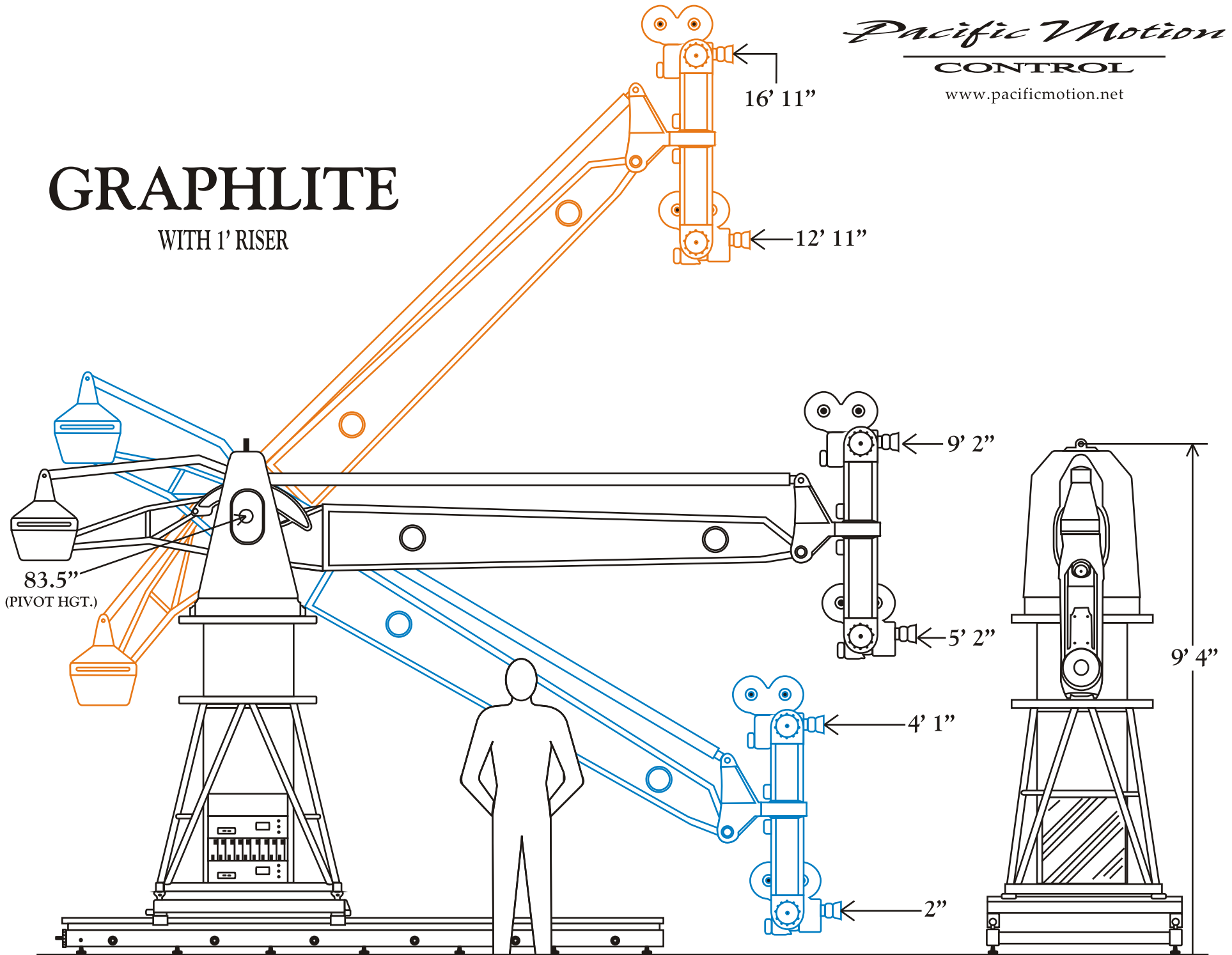
GRAPHLITE

STANDARD CONFIGURATION
(NO RISER OR EXTENSION)



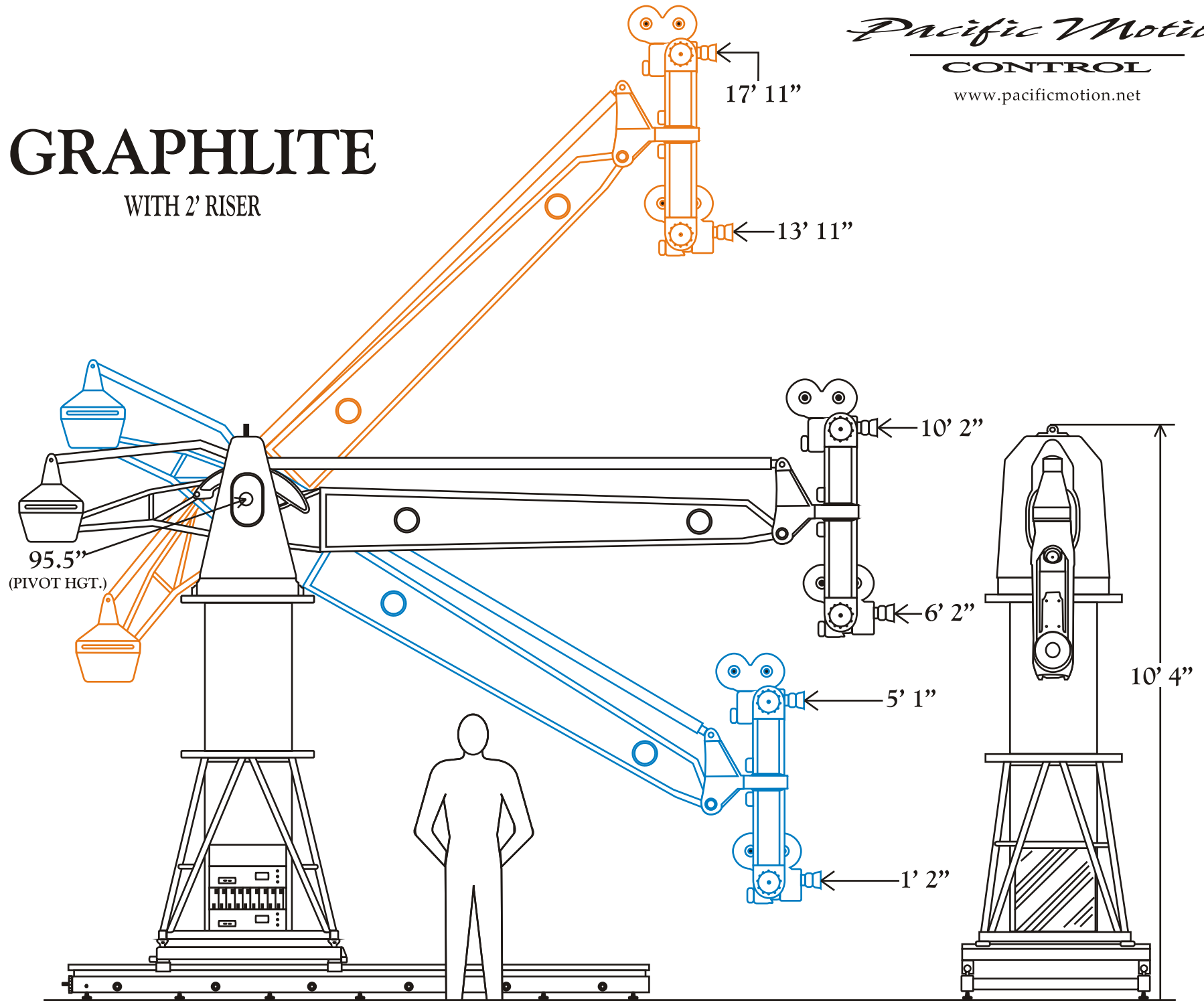
GRAPHLITE

WITH 1' RISER



GRAPHLITE

WITH 2' RISER



GRAPHLITE

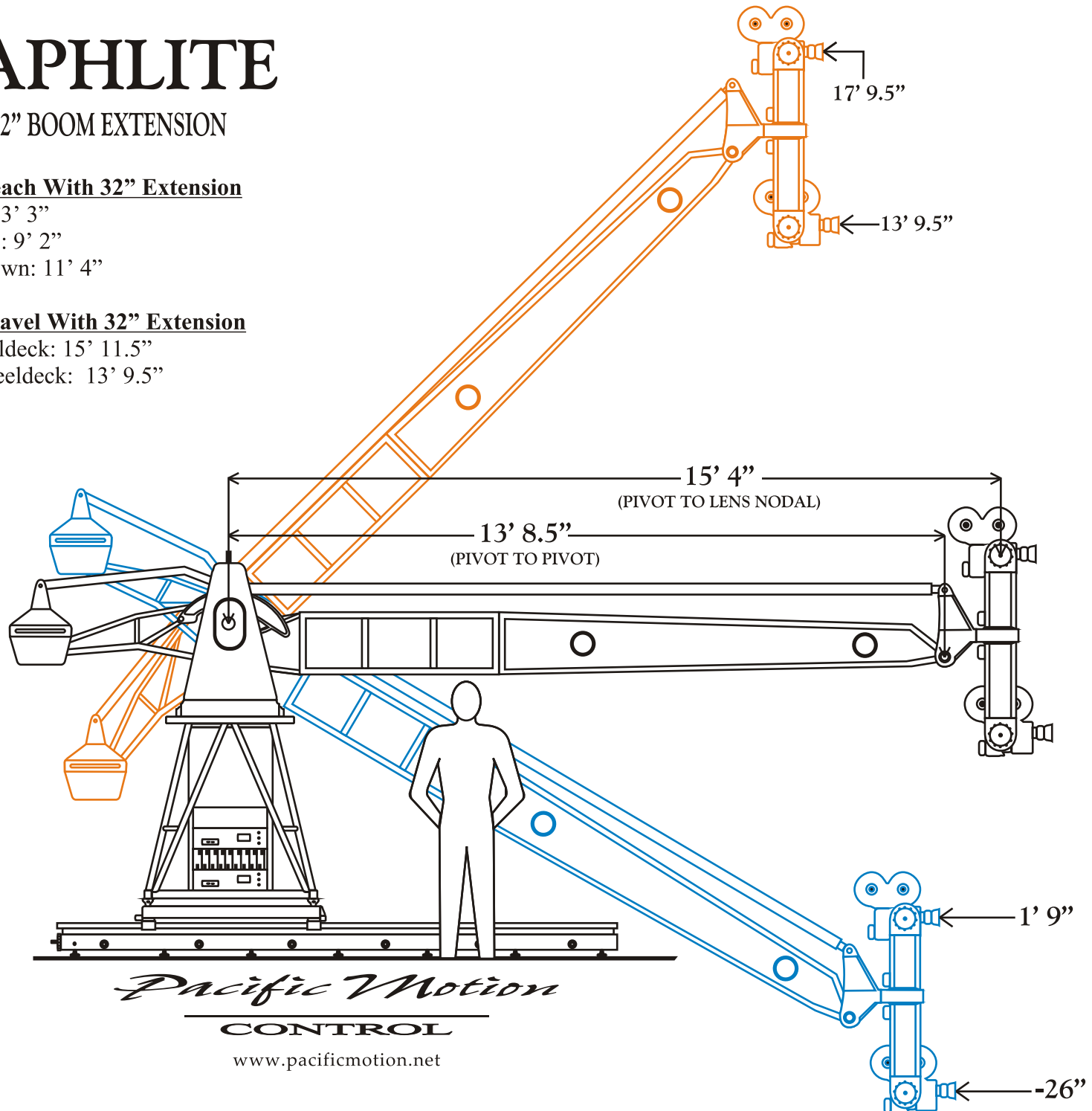
WITH 32" BOOM EXTENSION

Boom Reach With 32" Extension

- Level: 13' 3"
- Max Up: 9' 2"
- Max Down: 11' 4"

Boom Travel With 32" Extension

- On Steeldeck: 15' 11.5"
- W/O Steeldeck: 13' 9.5"



Pacific Motion

CONTROL

www.pacificmotion.net

GRAPHLITE

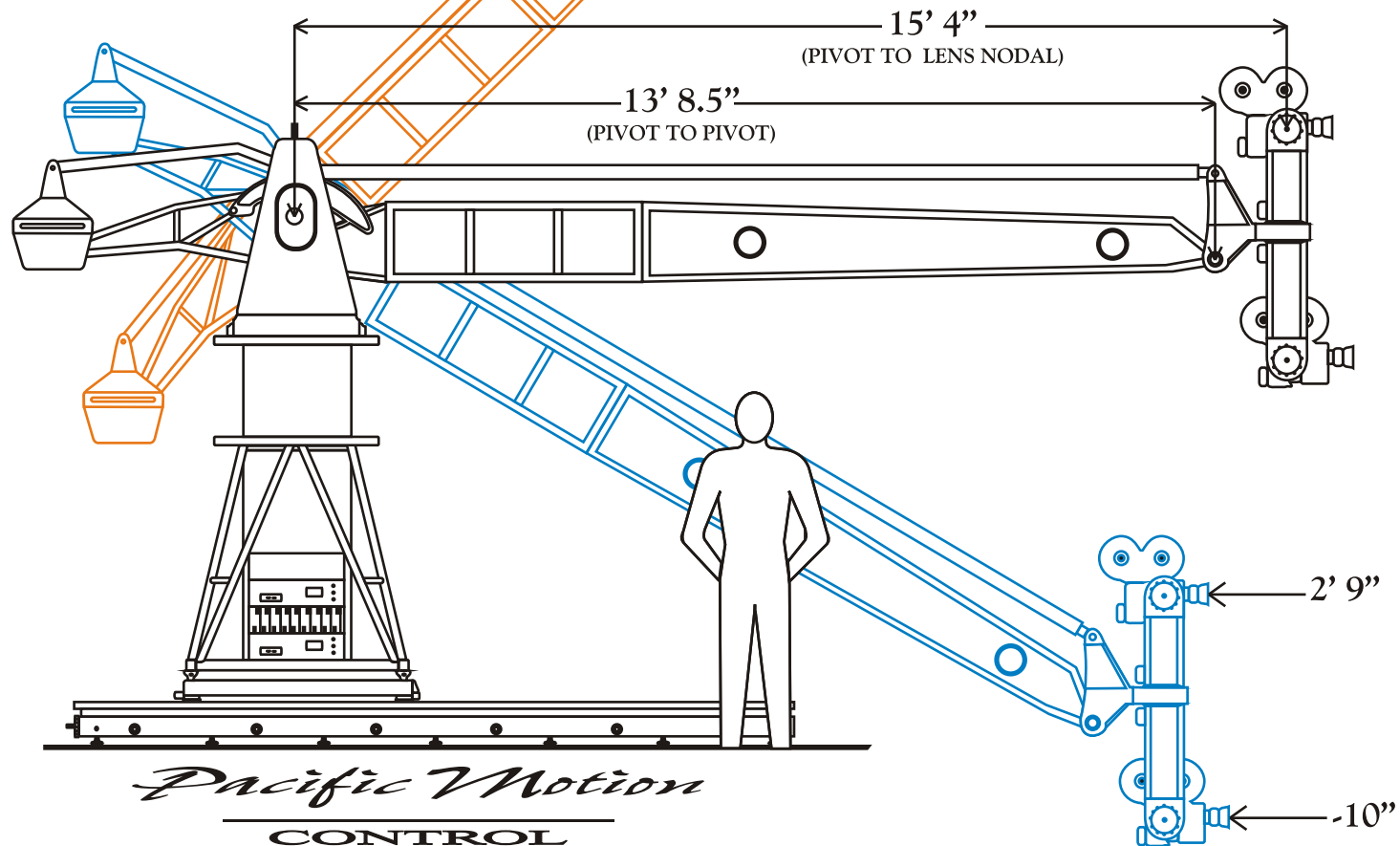
WITH 1' RISER AND
32' BOOM EXTENSION

Boom Reach With 32" Extension

- Level: 13' 3"
- Max Up: 9' 2"
- Max Down: 11' 4"

Boom Travel With 32" Extension

- On Steeldeck: 15' 11.5"
- W/O Steeldeck: 14' 9.5"



Pacific Motion

CONTROL

www.pacificmotion.net

GRAPHILITE

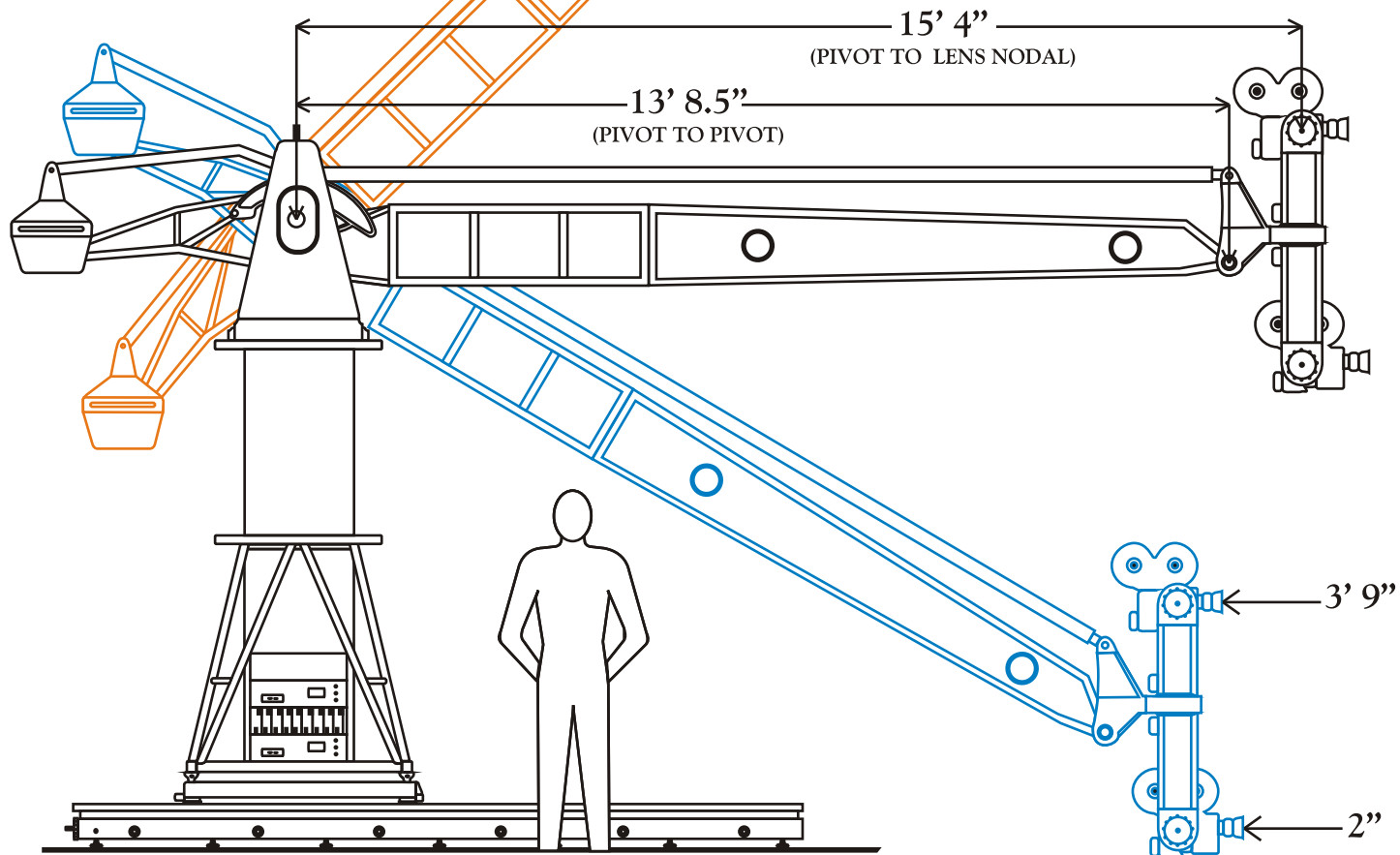
WITH 2' RISER AND
32' BOOM EXTENSION

Boom Reach With 32" Extension

- Level: 13' 3"
- Max Up: 9' 2"
- Max Down: 11' 4"

Boom Travel With 32" Extension

- 15' 11.5"



Pacific Motion

CONTROL

www.pacificmotion.net