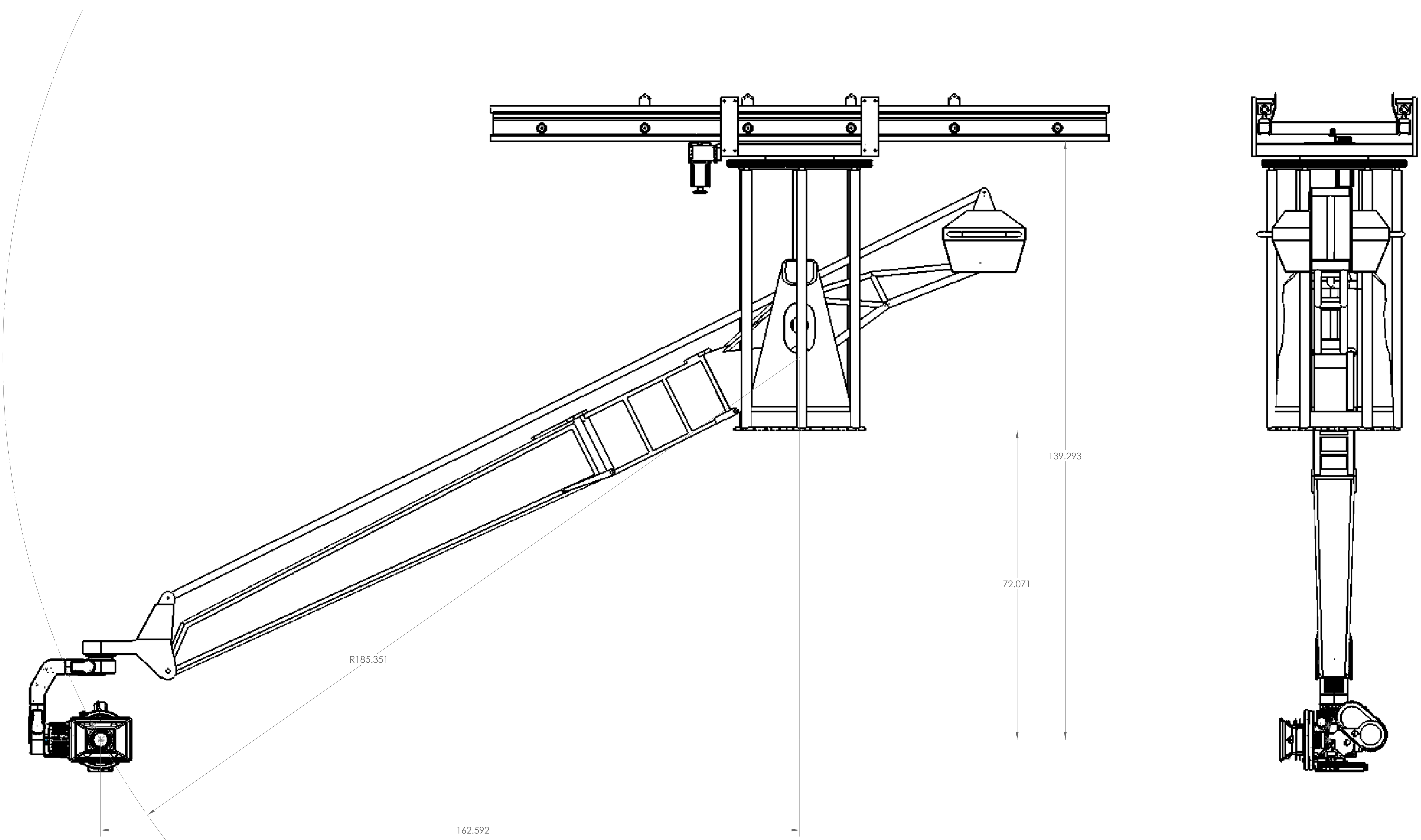


REVISIONS				
ZONE	REV.	DESCRIPTION	DATE	APPROVED



SORENSEN DESIGN INTERNATIONAL LLC

UNLESS OTHERWISE SPECIFIED:
 DIMENSIONS ARE IN INCHES
 TOLERANCES:
 FRACTIONALS: 1/16
 ANGULARS: MACH: .01
 TWO PLACE DECIMAL: ±.03
 THREE PLACE DECIMAL: ±.005

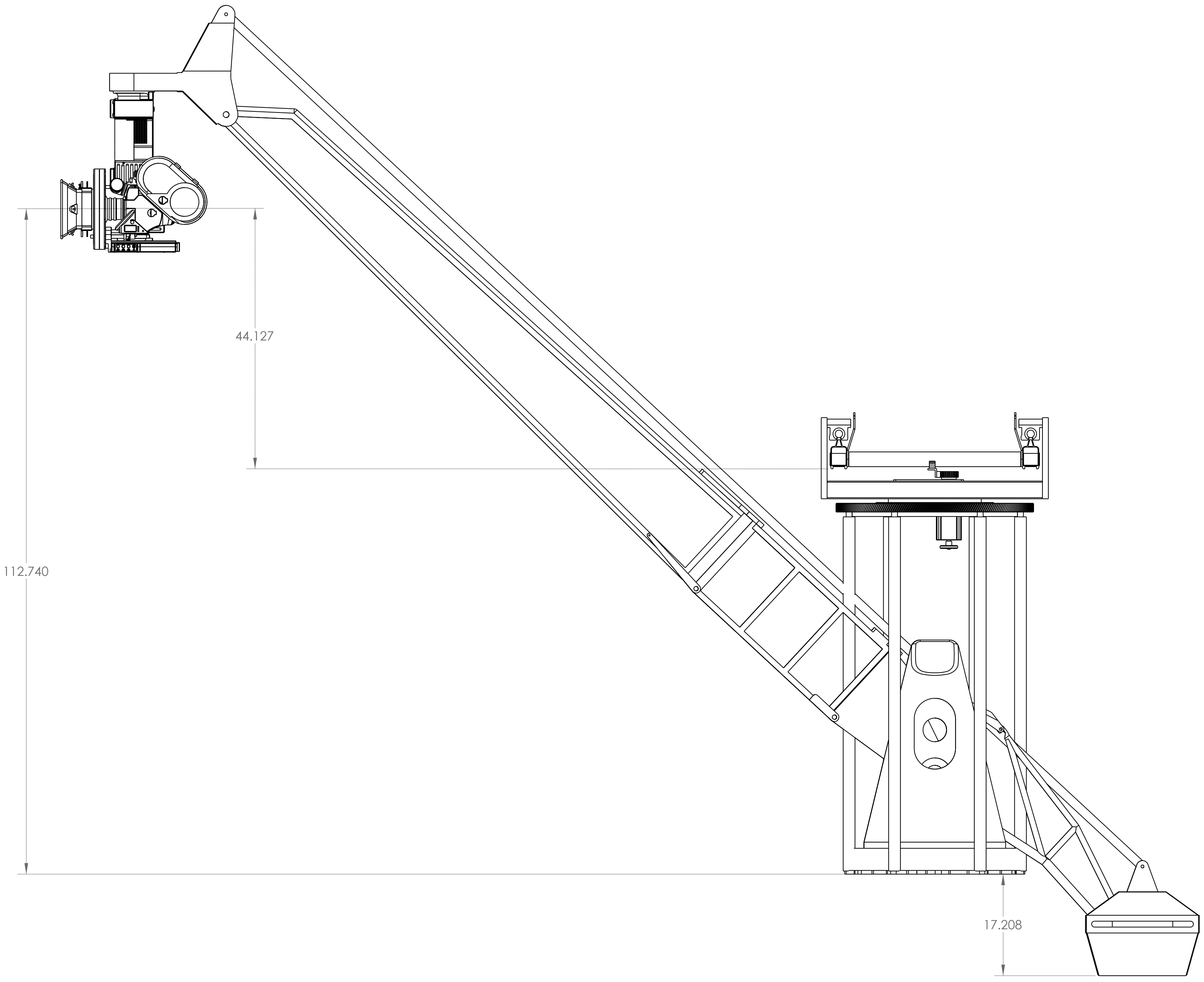
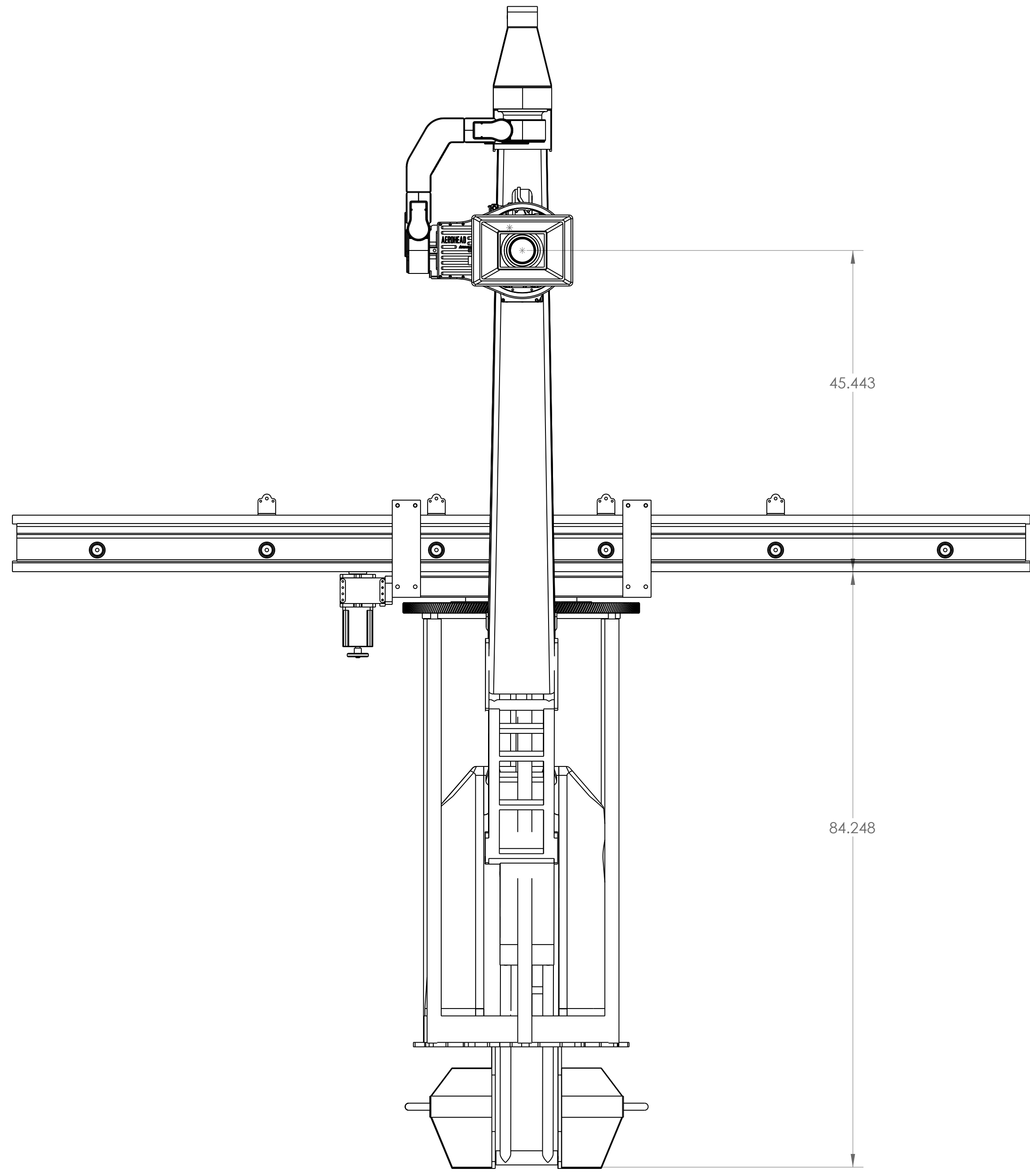
PROPERTY AND CONFIDENTIAL

THE INFORMATION CONTAINED IN THIS DRAWING IS THE SOLE PROPERTY OF SORENSEN DESIGN INTERNATIONAL. ANY REPRODUCTION IN PART OR AS A WHOLE WITHOUT THE WRITTEN PERMISSION OF SORENSEN DESIGN INTERNATIONAL IS PROHIBITED.

DRAWN	NAME	DATE	SORENSEN DESIGN INTERNATIONAL 1504 EAST MAIN STREET ASHLAND OR 97520 DWG. NO. Graphlite
CHECKED			
ENG APPR.			
MFG APPR.			
G.A.			REV
SHEET SIZE	TITLE:		
D			

SCALE: 1:24 WEIGHT: SHEET 1 OF 2

REVISIONS				
ZONE	REV.	DESCRIPTION	DATE	APPROVED



SORENSEN DESIGN INTERNATIONAL
 1504 EAST MAIN STREET
 ASHLAND, OR 97520

UNLESS OTHERWISE SPECIFIED:
 DIMENSIONS ARE IN INCHES
 TOLERANCES:
 FRACTIONALS: 1/16
 ANGULARS: MACH: .01
 TWO PLACE DECIMAL: ±.03
 THREE PLACE DECIMAL: ±.005

PROPERTY AND CONFIDENTIAL
 THE INFORMATION CONTAINED IN THIS DRAWING IS THE SOLE PROPERTY OF SORENSEN DESIGN INTERNATIONAL. ANY REPRODUCTION IN PART OR AS A WHOLE WITHOUT THE WRITTEN PERMISSION OF SORENSEN DESIGN INTERNATIONAL IS PROHIBITED.

NAME	DATE

INTERPRET DRAWING AS PER STD 000 101

Graphite

SCALE: 1:24 WEIGHT: SHEET 2 OF 2