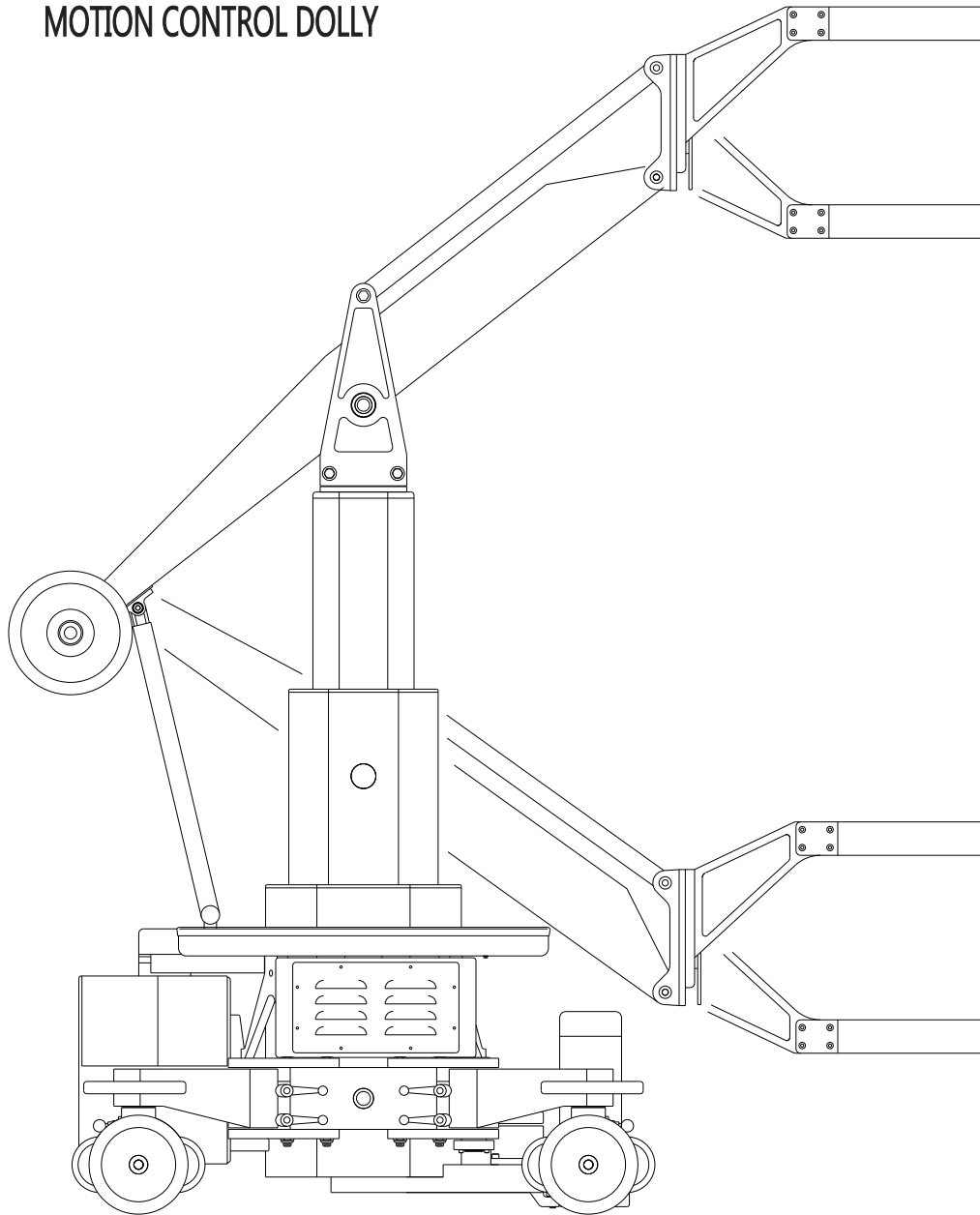


# ZEBRA

PORTABLE LIVE ACTION  
MOTION CONTROL DOLLY

*Pacific Motion*  
**CONTROL**



## Technical Specifications

### Speed

Track: **8.5' per second**

Lift: **3.6' per second**

Swing: **40° per second**

Pan: **220° per second**

Tilt: **220° per second**

Roll: **140° per second**

### Maximum Travel

Swing: **360°+**

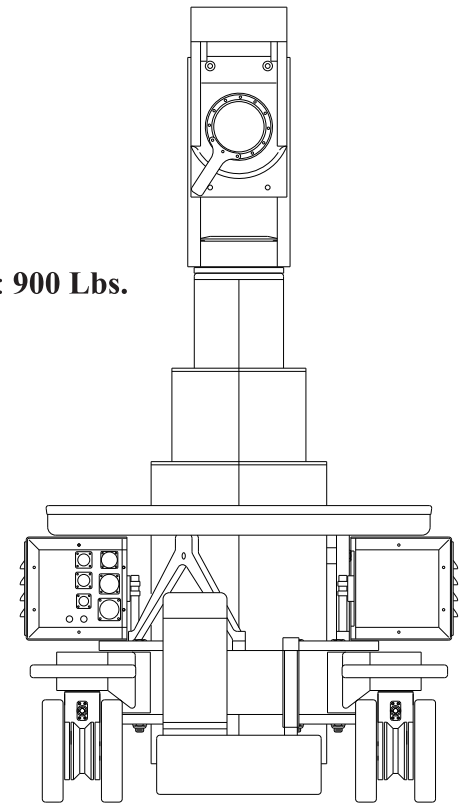
Pan Travel: **360°+**

Tilt Travel: **360°+**

Roll Travel: **360°+**

Lift With Arm: **65"**

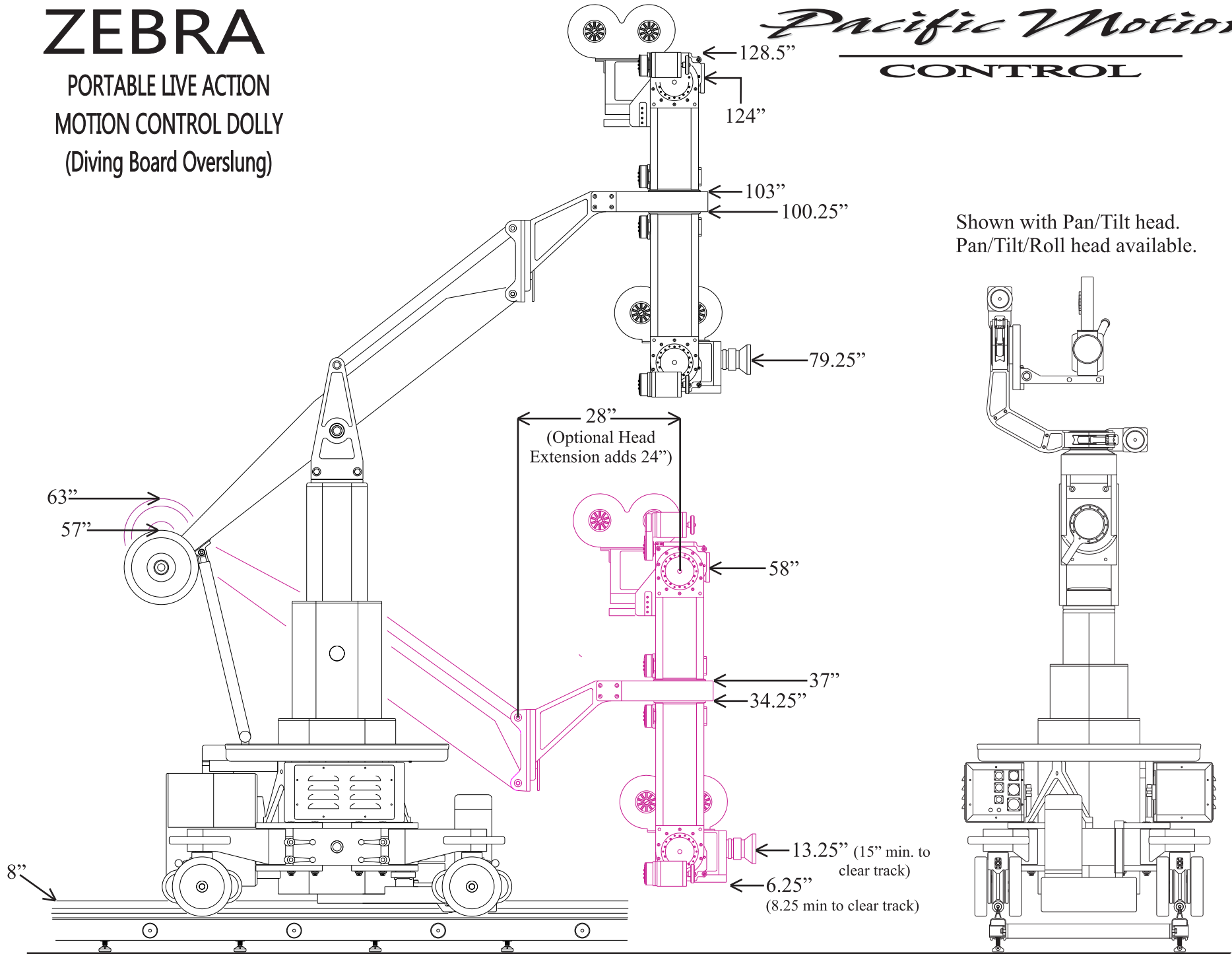
Weight With Camera: **900 Lbs.**



# ZEBRA

PORTABLE LIVE ACTION  
MOTION CONTROL DOLLY  
(Diving Board Overslung)

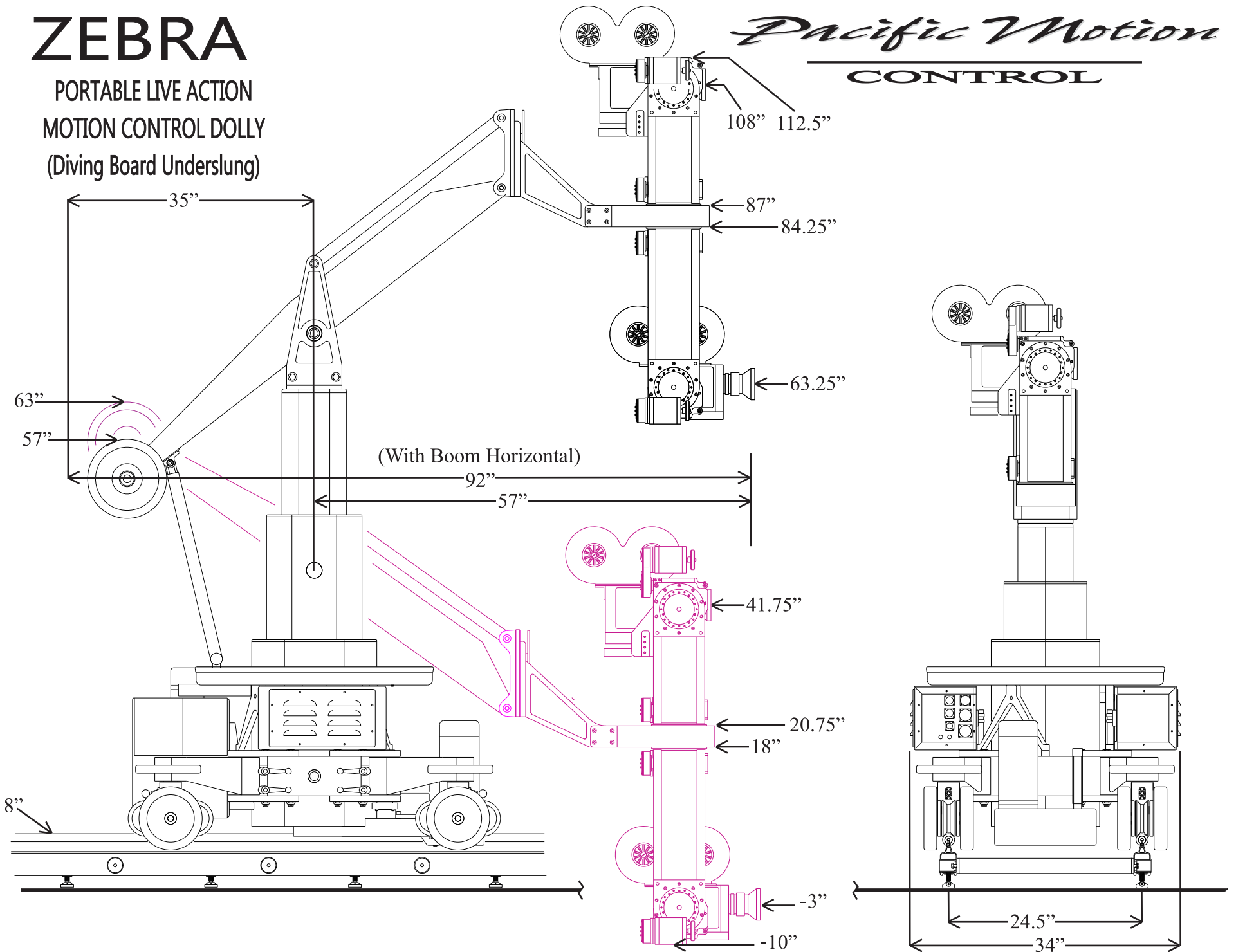
*Pacific Motion*  
**CONTROL**



# ZEBRA

PORTABLE LIVE ACTION  
MOTION CONTROL DOLLY  
(Diving Board Underslung)

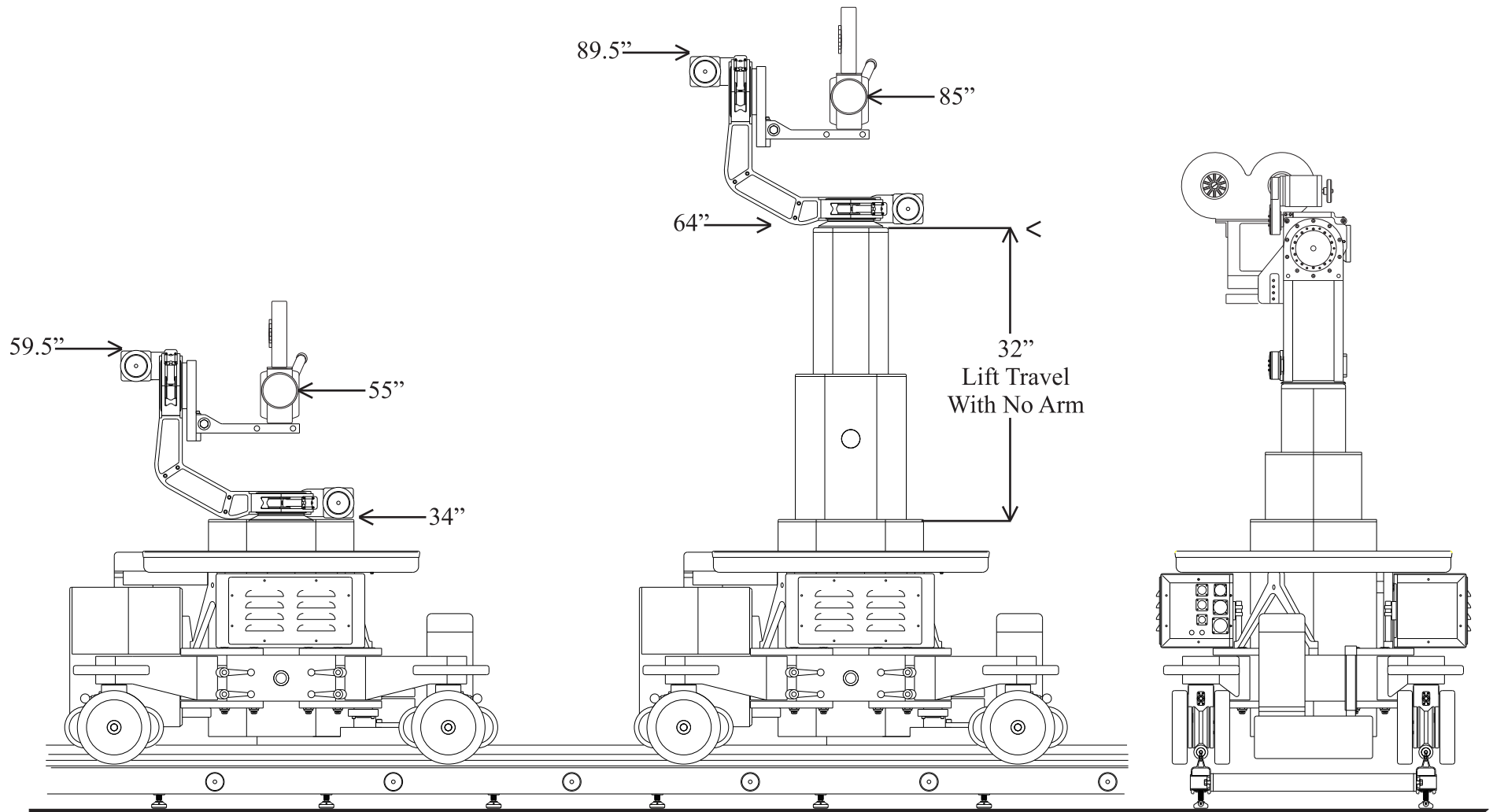
*Pacific Motion*  
**CONTROL**



# ZEBRA

PORTABLE LIVE ACTION  
MOTION CONTROL DOLLY  
(No Boom Arm)

*Pacific Motion*  
CONTROL



# Zebra Curved Track

## Track Size

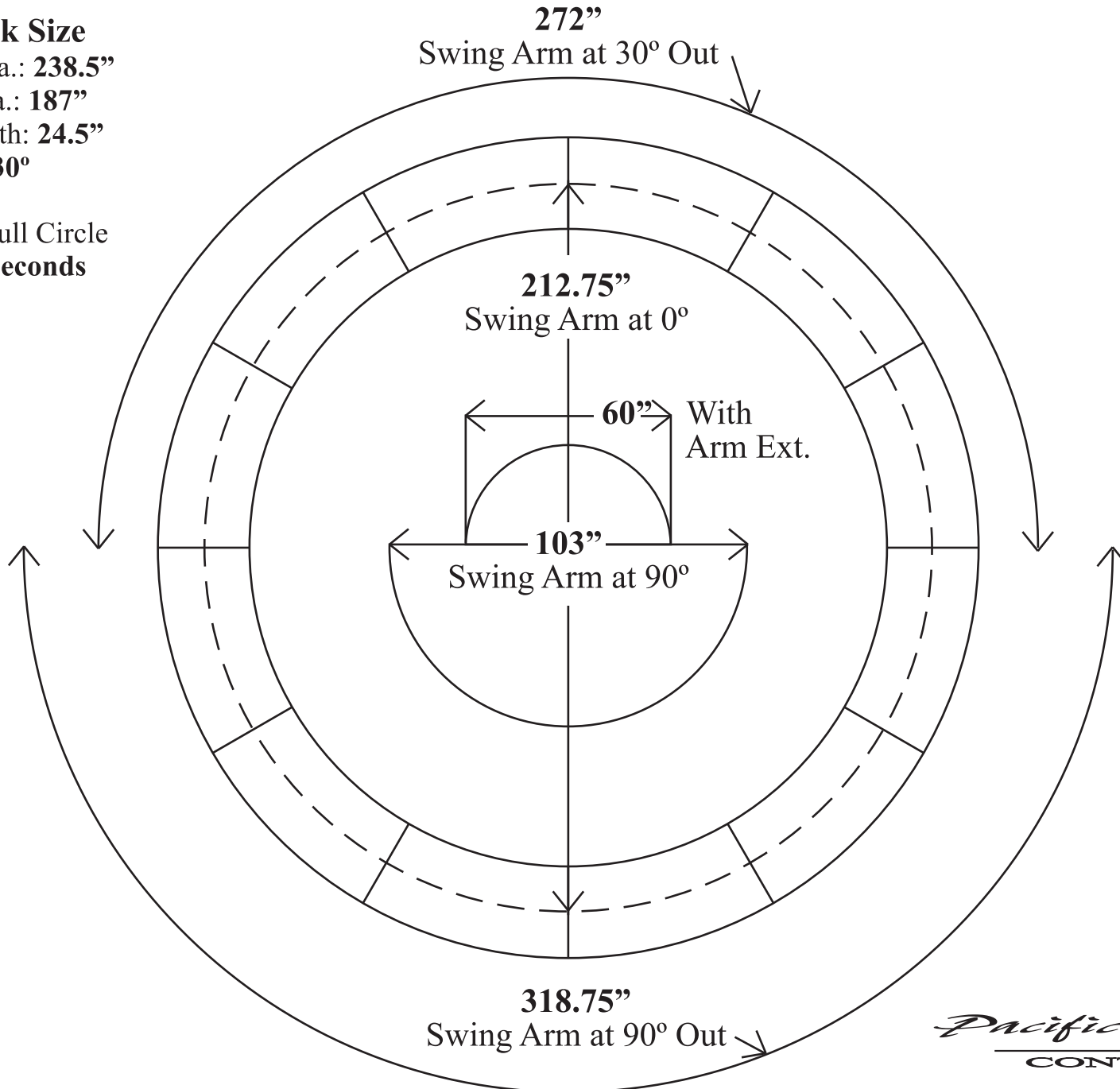
Outer Dia.: 238.5"

Inner Dia.: 187"

Rail Width: 24.5"

Radius: 30°

Speed: Full Circle  
in < 10 Seconds



*Pacific Motion*  
CONTROL