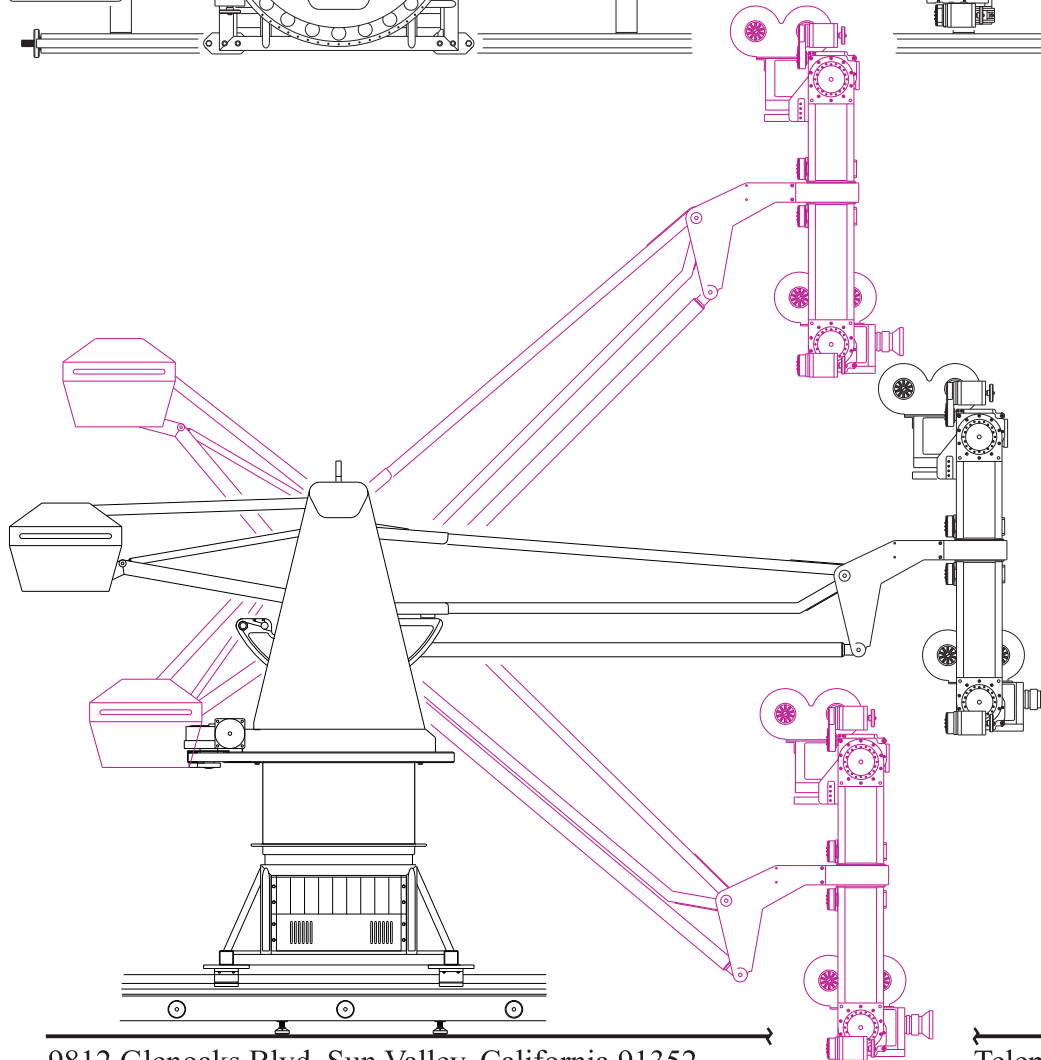
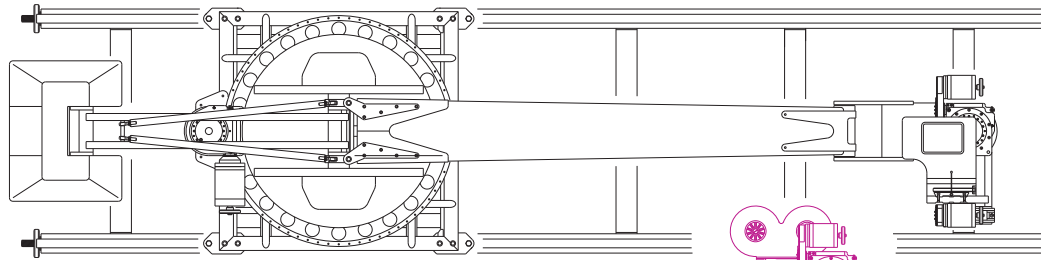


# GAZELLE

LIVE ACTION MOTION CONTROL CRANE



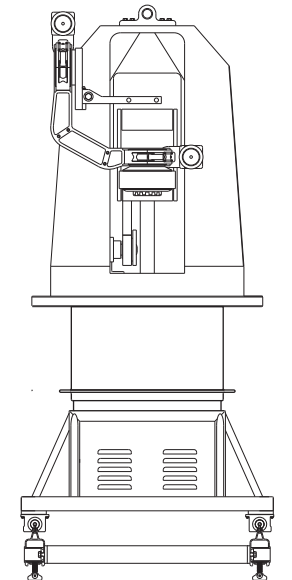
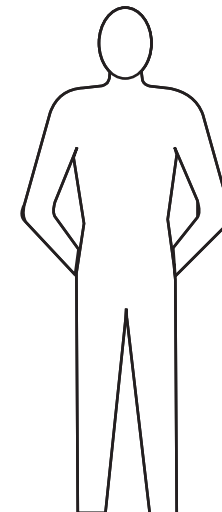
## *Pacific Motion* CONTROL

Boom Reach at Level: **75"**  
at Pos. 20°: **71"**, at Pos. 42°: **56"**  
at Neg. 15°: **73"**, at Neg. 30°: **65"**

Boom Travel: **95"**, Speed: 60° in 2.5 sec.  
Swing Travel: **360°+**, Speed: 90° in 3.2 sec.  
Track Lengths: **12'**, **8'**, and **4'**, Speed: 11' per sec.

Pan Travel: **360°+**, Speed: 90° in .8 sec.  
Tilt Travel: **360°+**, Speed: 90° in .8 sec.  
Roll Travel: **360°+**, Speed: 90° in 2.5 sec.

Weight With Camera: **900 Lbs.**



9812 Glenoaks Blvd. Sun Valley, California 91352

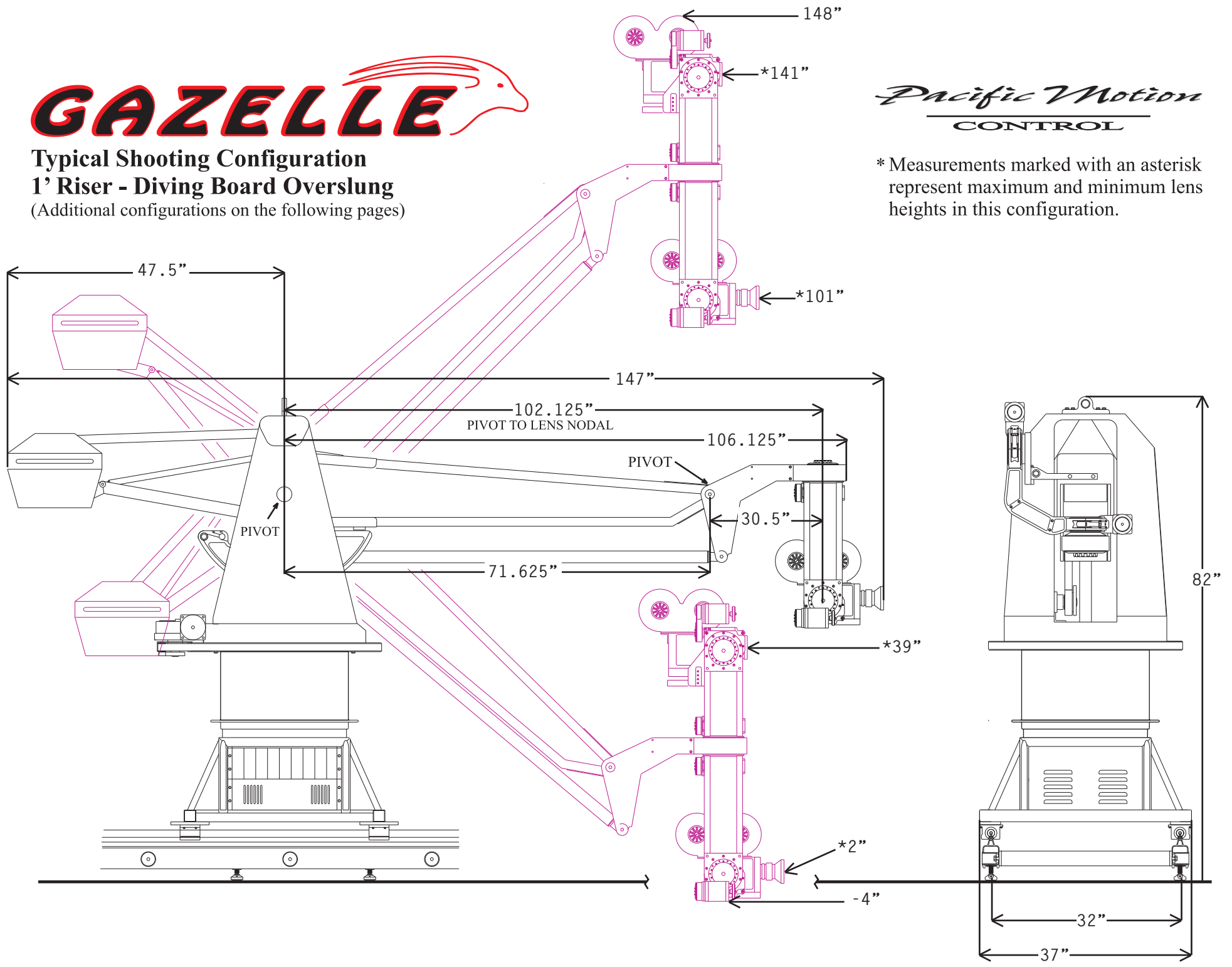
Telephone: 818-768-1573 • Fax: 818-7681575 • [www.PacificMotion.net](http://www.PacificMotion.net)

# GAZELLE

**Typical Shooting Configuration**  
**1' Riser - Diving Board Overslung**  
 (Additional configurations on the following pages)

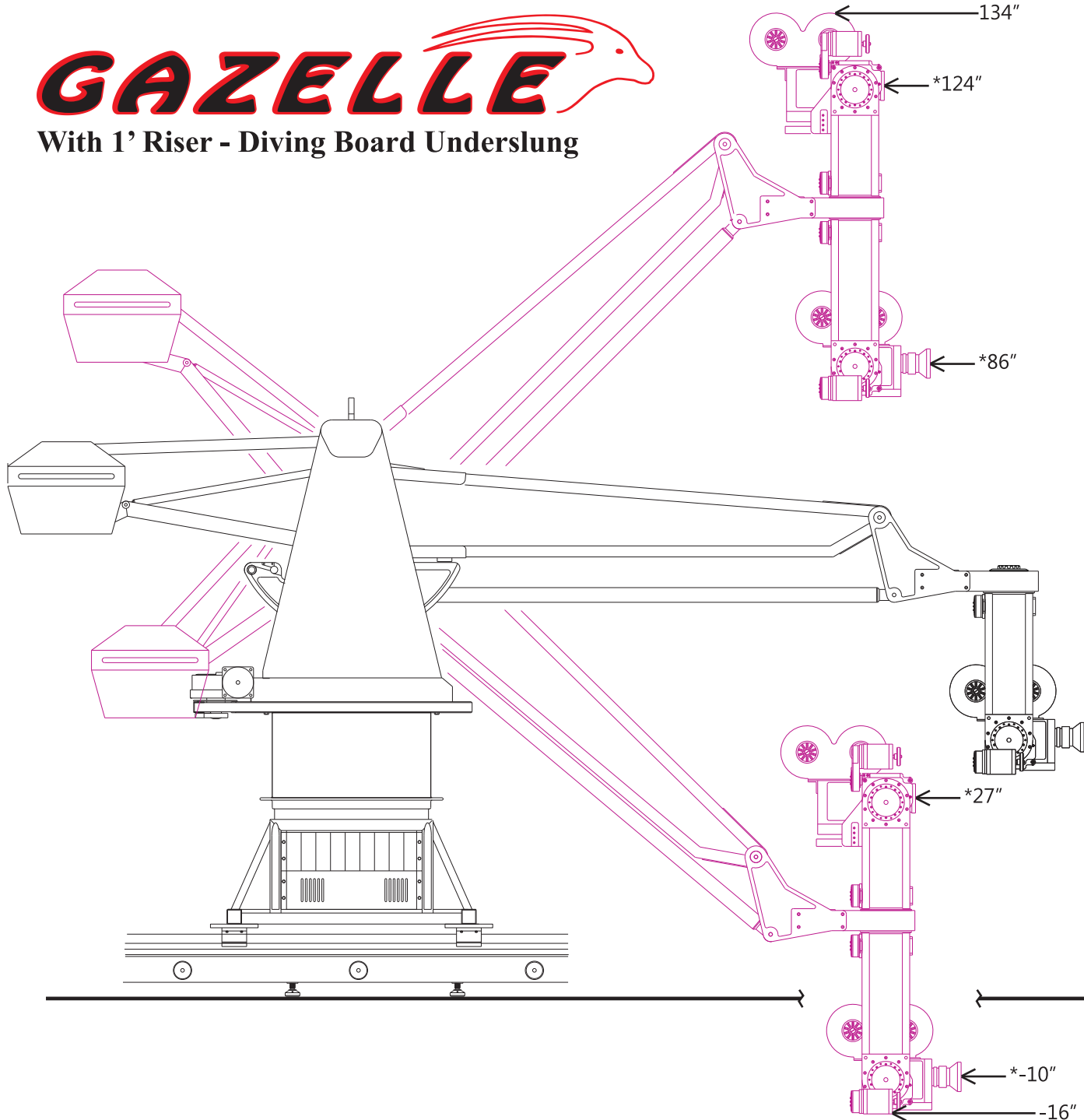
*Pacific Motion*  
**CONTROL**

\* Measurements marked with an asterisk represent maximum and minimum lens heights in this configuration.



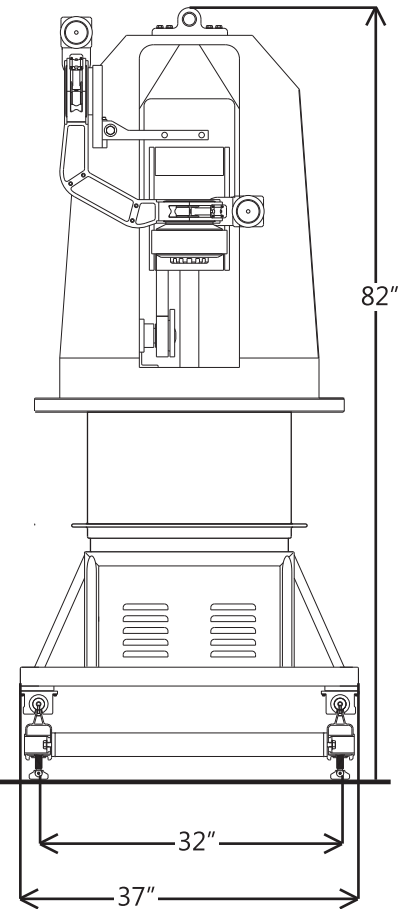
# GAZELLE

With 1' Riser - Diving Board Underslung



*Pacific Motion*  
CONTROL

\* Measurements marked with an asterisk represent maximum and minimum lens heights in this configuration.

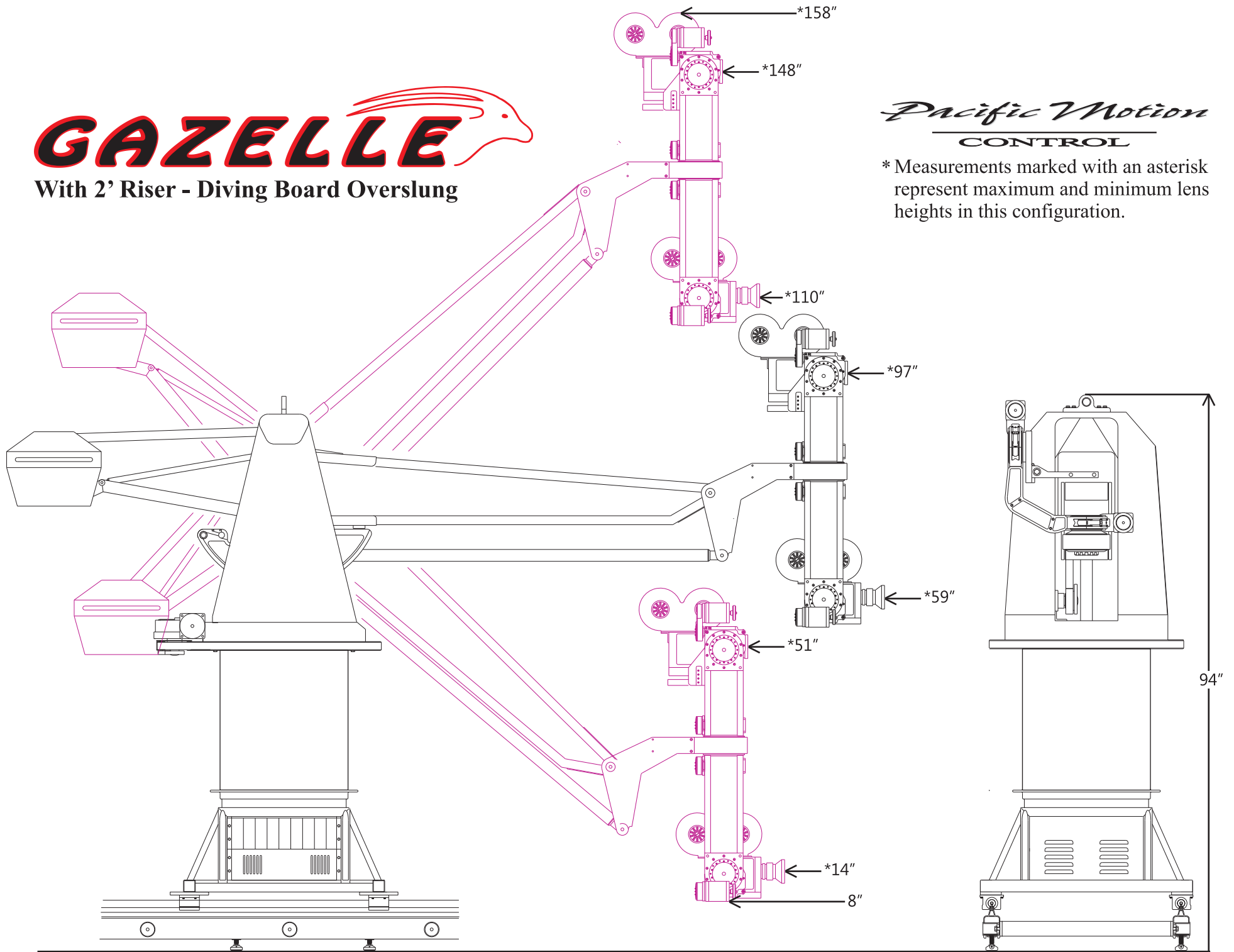


# GAZELLE

With 2' Riser - Diving Board Overslung

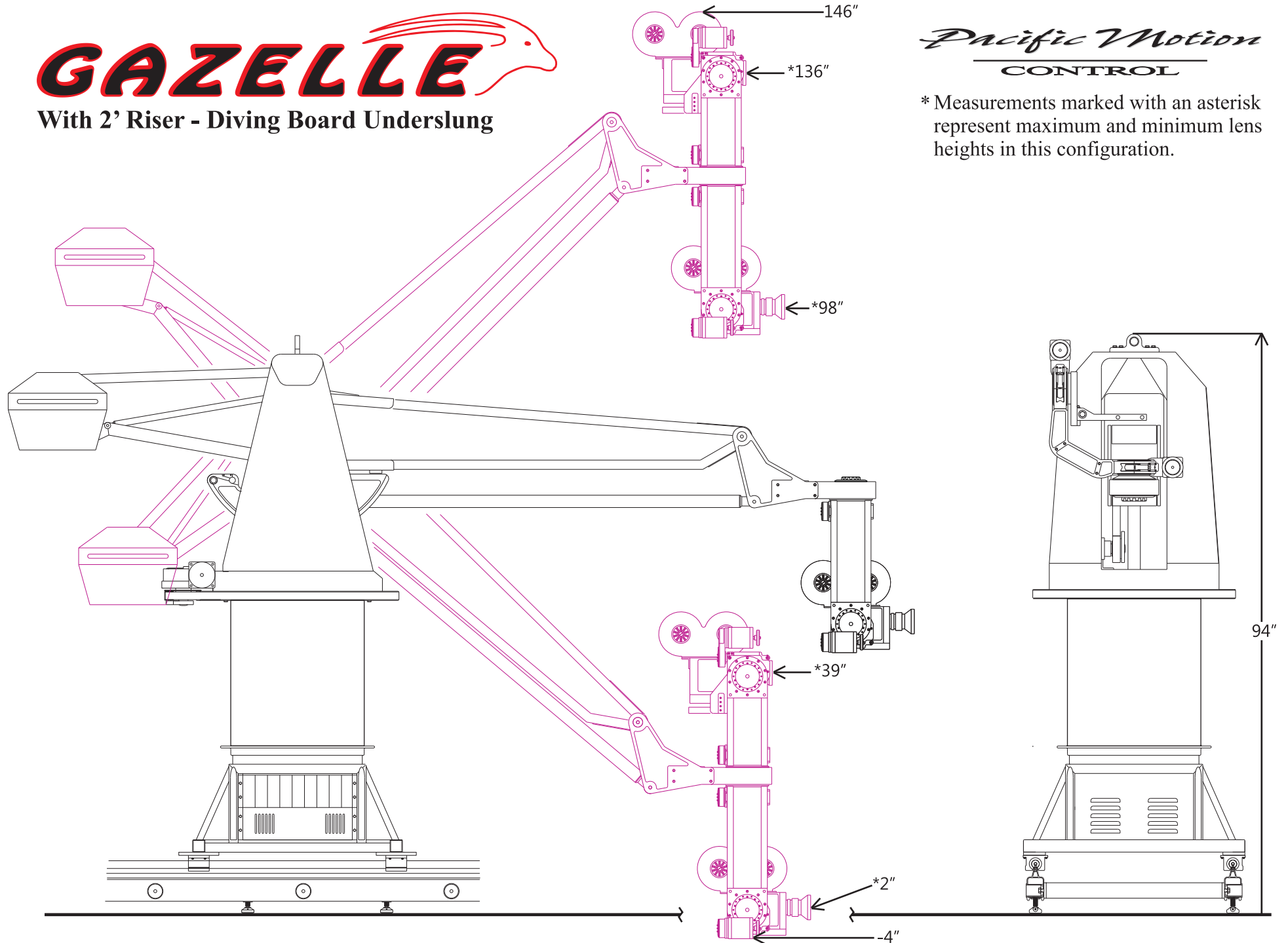
*Pacific Motion*  
**CONTROL**

\* Measurements marked with an asterisk represent maximum and minimum lens heights in this configuration.



# GAZELLE

With 2' Riser - Diving Board Underslung

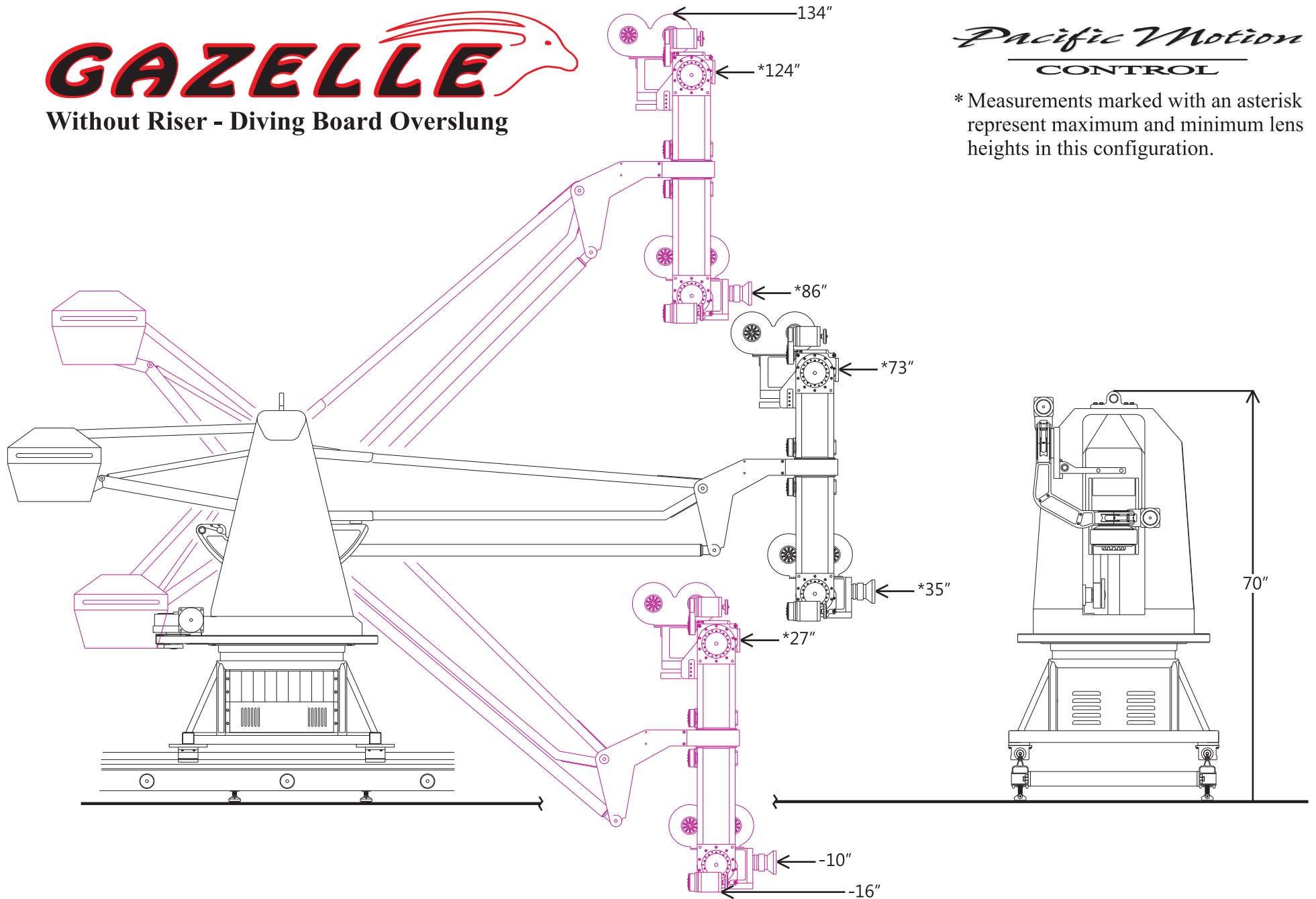


*Pacific Motion*  
CONTROL

\* Measurements marked with an asterisk represent maximum and minimum lens heights in this configuration.

# GAZELLE

Without Riser - Diving Board Overslung



*Pacific Motion*  
**CONTROL**

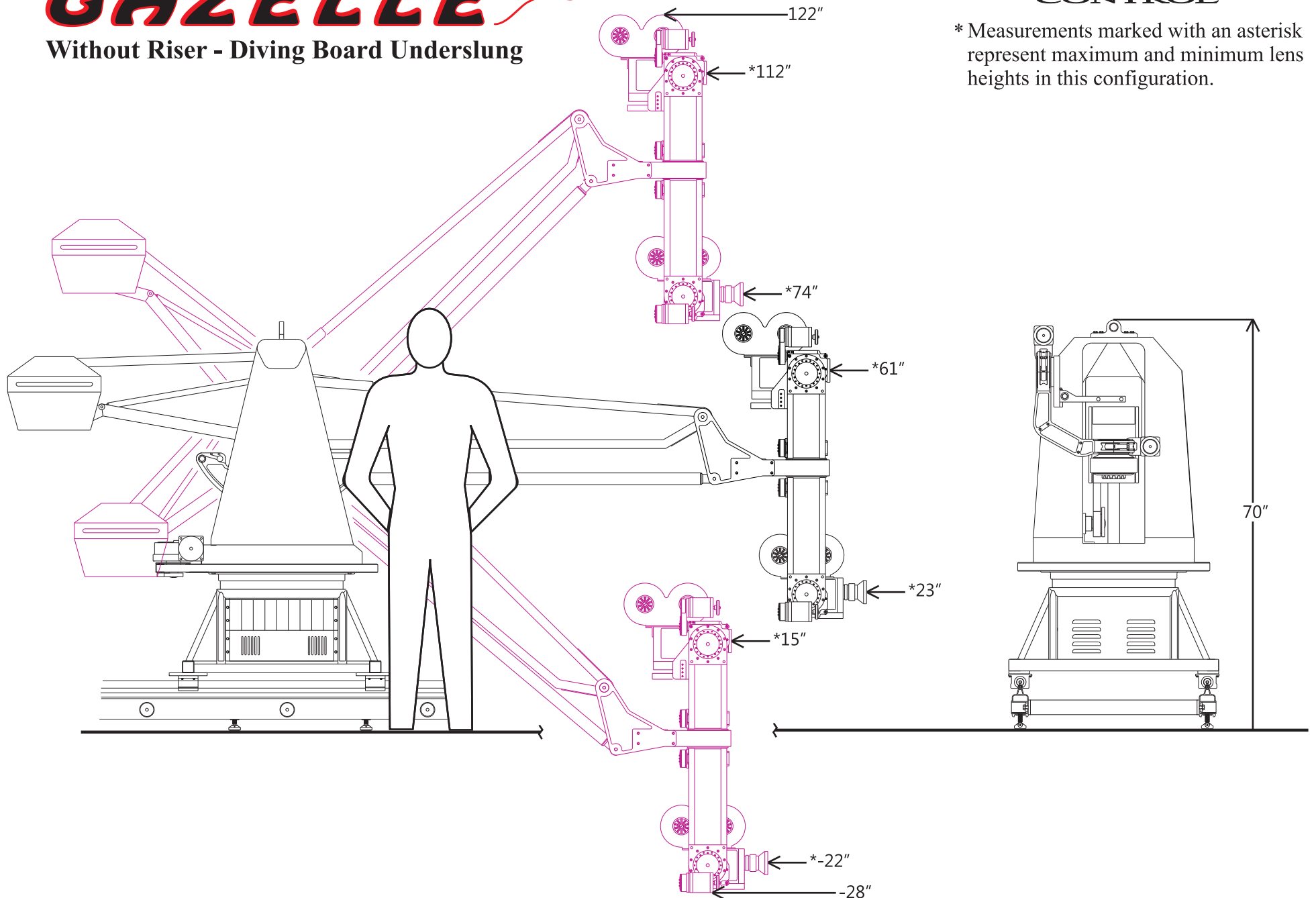
\* Measurements marked with an asterisk represent maximum and minimum lens heights in this configuration.

# GAZELLE

Without Riser - Diving Board Underslung

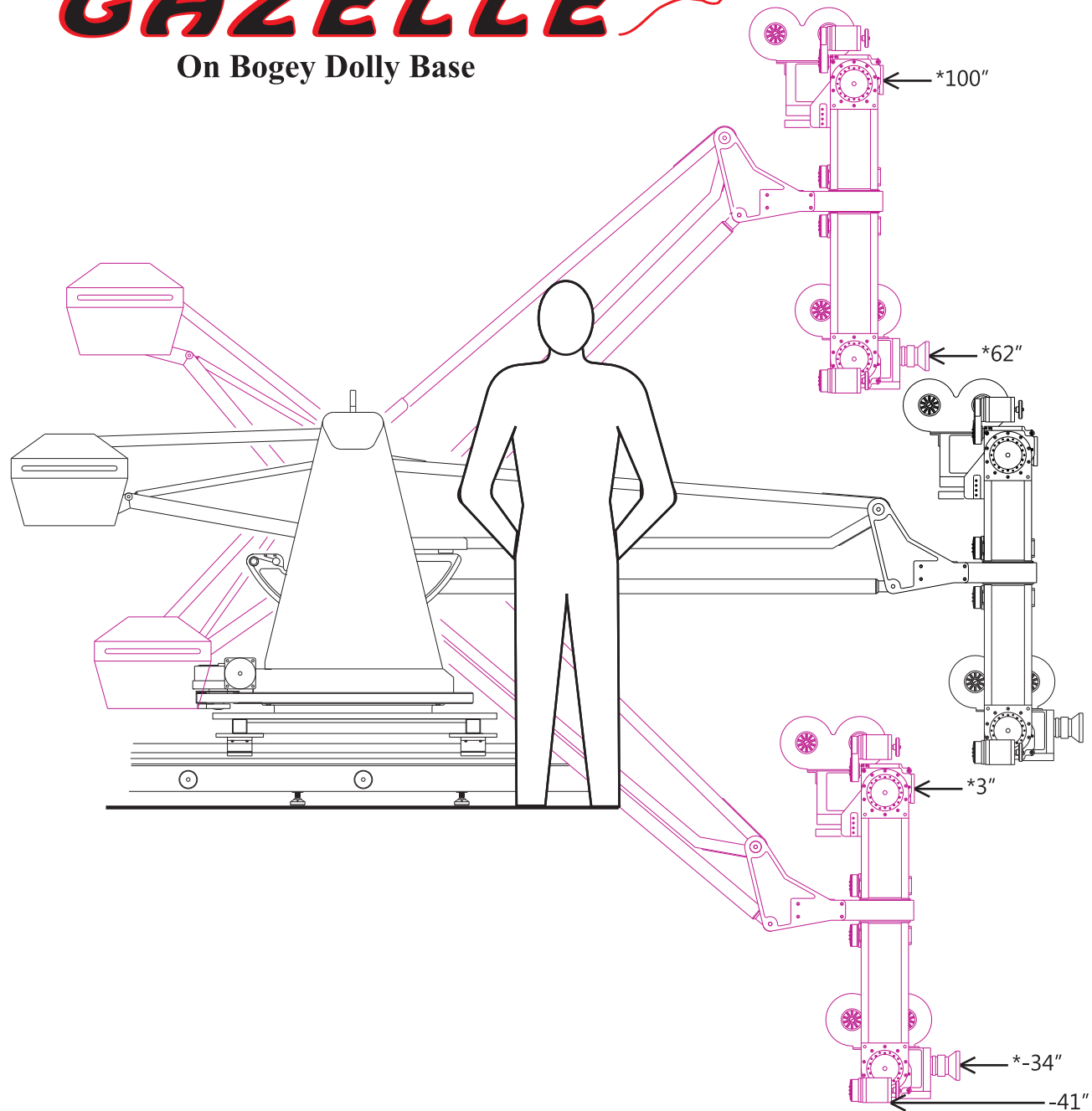
*Pacific Motion*  
**CONTROL**

\* Measurements marked with an asterisk represent maximum and minimum lens heights in this configuration.



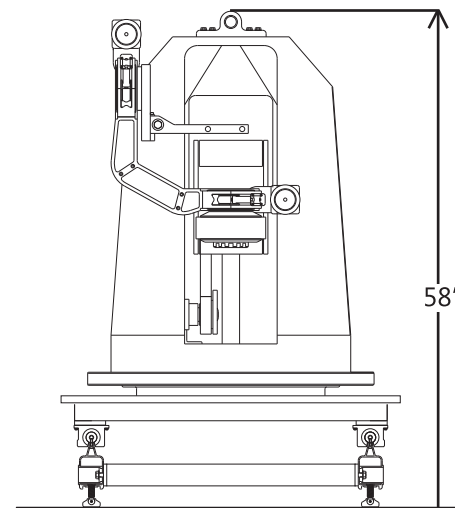
# GAZELLE

On Bogey Dolly Base



*Pacific Motion*  
CONTROL

\* Measurements marked with an asterisk represent maximum and minimum lens heights in this configuration.







# Curved Track

*Pacific Motion*  
**CONTROL**

